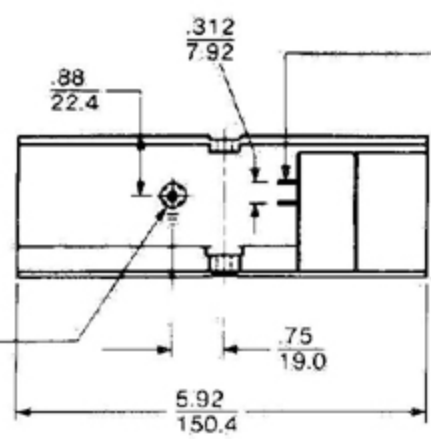
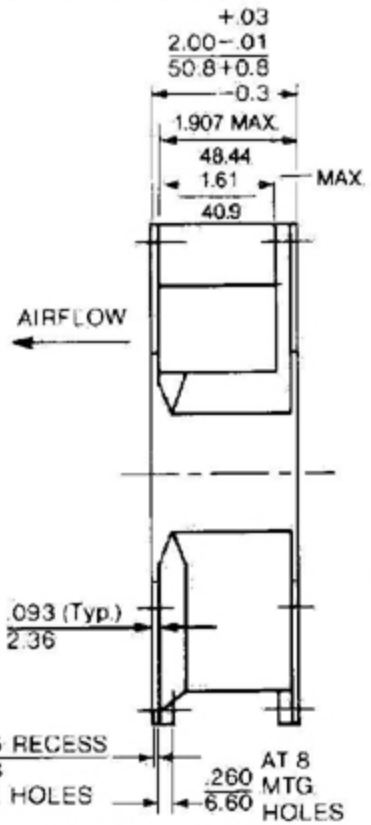
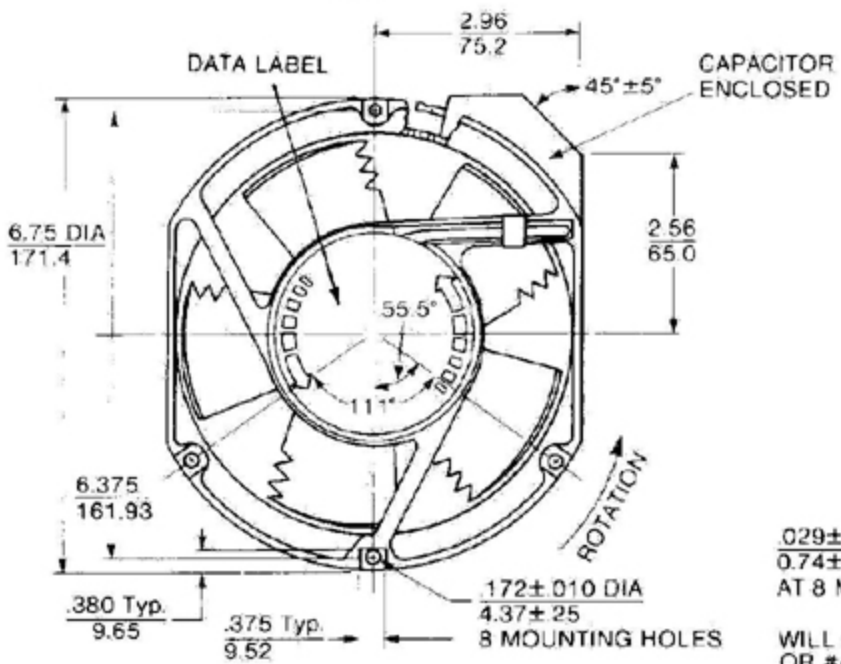


10-32 UNF - 2B x
.19/4.8 IN. FULL
THREAD DEPTH.

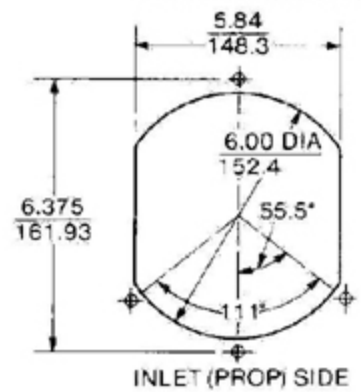


2 SOLDER TERMINALS
.33 LONG
8.4
.120±.002 WIDE
3.05±0.05
.020±.001 THICK
0.51±.02
(WILL FIT PLUG AND CORD
#550440 OR #428056 OR AMP SERIES 110
TERMINALS).

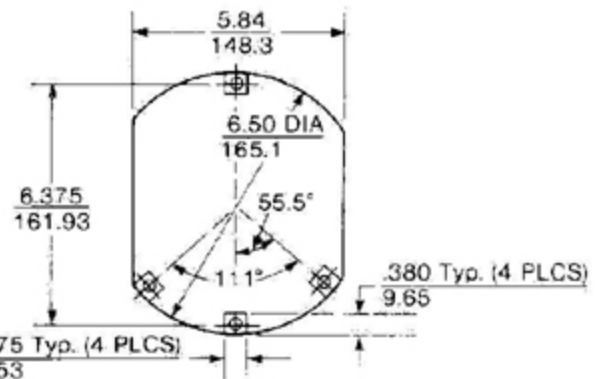


.029±.005 RECESS
0.74±0.13
AT 8 MTG. HOLES
WILL ACCOMMODATE #477663
OR #477670 MOUNTING CLIPS FOR USE
WITH #8-32 MACHINE SCREW

RECOMMENDED CUTOUTS



INLET (PROP) SIDE



EXHAUST (SPIDER) SIDE

DIMENSIONS: in ±
mm ±
TOLERANCES: .xx= .03
 .08
 .xxx=.010
 .25
ANGULAR ±1½°
(UNLESS NOTED)

Specifications subject to change without notice.