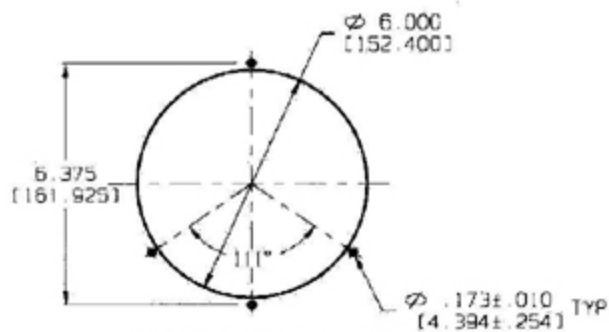


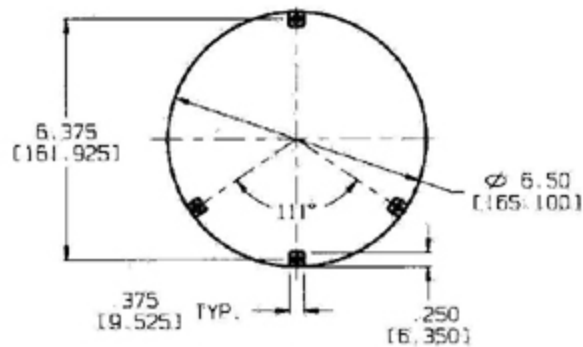
2 SOLDER TERMINALS
 .33 LONG
 (8.4)
 .120±.002 WIDE
 (3.05±.05)
 .020±.001 THICK
 (0.51±.03)
 (WILL FIT PLUG AND CORD
 #550440 AND #420656
 OR AMP SERIES 110 TERMINALS)

10-32-UNF-2B
 $\varphi \frac{0.19}{4.8}$ MIN.
 FULL THREAD DEPTH

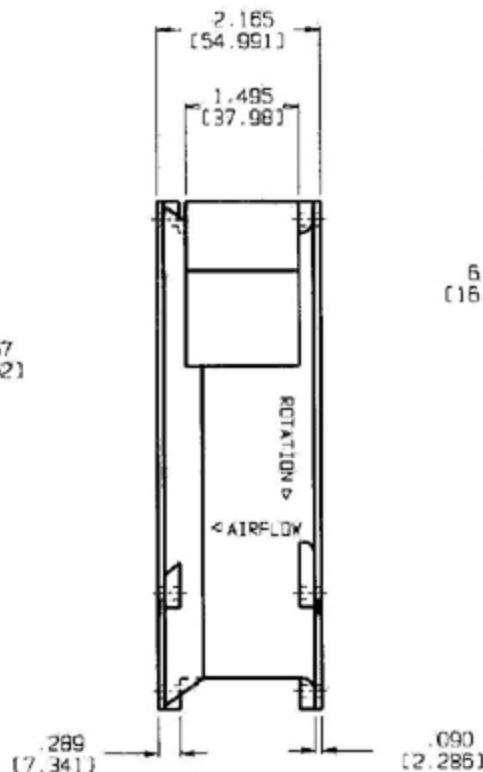
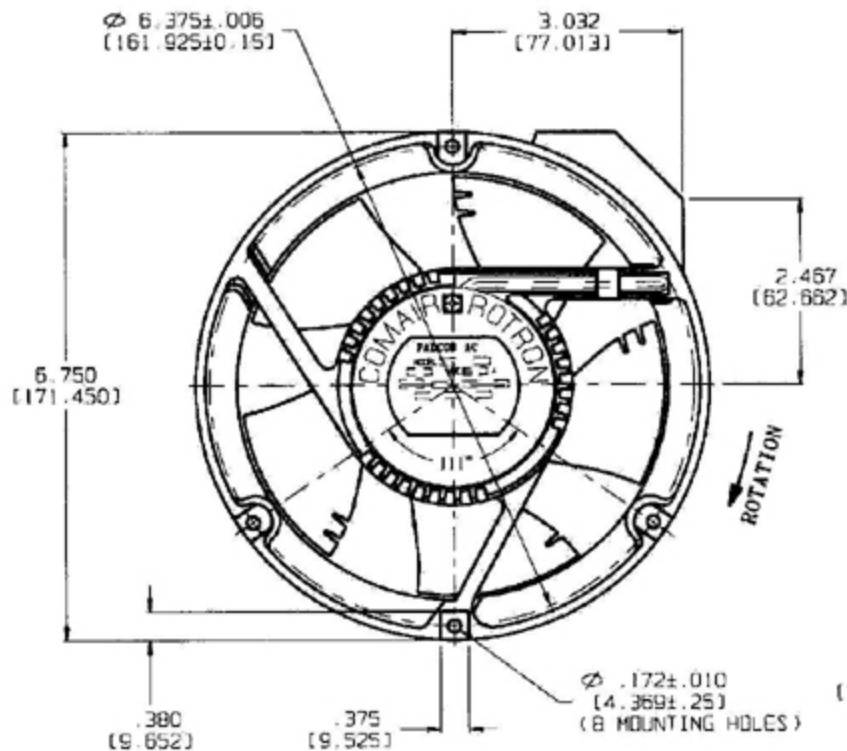
RECOMMENDED CUTOUTS



INLET (PROP) SIDE



EXHAUST (STRUT) SIDE



DIMENSIONS: $\frac{in}{mm} \pm$

TOLERANCES: XX = $\frac{0.03}{0.8}$

XXX = $\frac{0.10}{.25}$

ANGULAR $\pm 5^\circ$
 (UNLESS NOTED)