

D2E140 Series Centrifugal Blower

Ø 140mm 4-speed



■ AC dual inlet, forward curved centrifugal blower operates at 4 air flow levels. Via brackets, the standard external-rotor motor is mounted on one side of the scroll housing.

■ Scroll housing with integrated terminal box made of polypropylene reinforced with French chalk, colored in black, and impeller made of polypropylene in natural color.

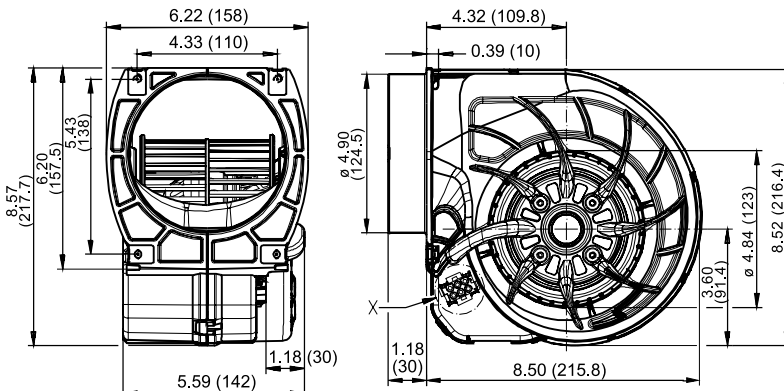
■ Direction of rotation is CCW as seen on plug. Insulation class "F".

■ Cable harness must be ordered separately.

Part Number	Inches	(mm)
21956-4-1040	11.81	(300)
21957-4-1040	17.72	(450)
21958-4-1040	25.60	(650)
21959-4-1040	39.37	(1000)

■ VDE/CE approvals. UL on request.

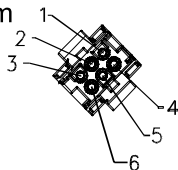
Part Number	CFM @ 0	Curve	Volts	Hertz	Power (W)	dBa	Max Ambient Temp C
D2E140-HR97-05	101	4	230	50/60	56	36	40
	158	3	230	50/60	75	46	40
	212	2	230	50/60	100	52	40
	253	1	230	50/60	128	56	40



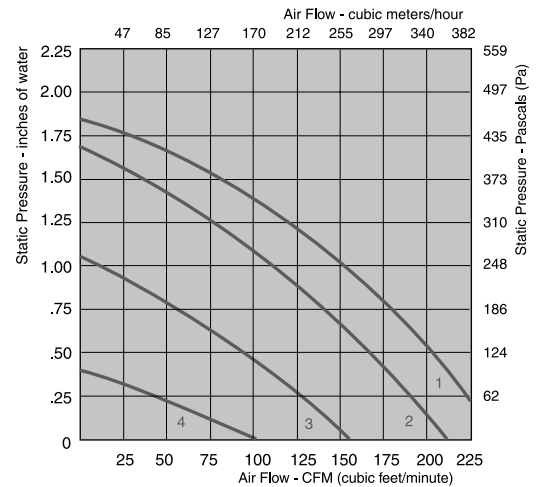
Wiring Diagram

View X

AMP Universal
 MATE-N-LOCK
 Housing # 926 682-3
 Wire Pin # 926 866-1



- 1 = Speed 1 (min)
- 2 = Speed 2
- 3 = Speed 3
- 4 = Speed 4 (max)
- 5 = Neutral
- 6 = Ground



e-mail: sales@ebm.com • TEL: 860-674-1515 • FAX: 860-674-8536
 ebm Industries, Inc., 100 Hyde Road, Farmington, CT 06034 USA

ebm Industries, Inc., 2003 © ebm Industries, Inc. reserves the right to change any specifications or data without notice