



General Specifications

Allowable Ambient Temperature Range:

-10°C ~ +70°C (Operating)

-40°C ~ +70°C (Storage)

(non-condensing environment)

Motor Structure: Shaded Pole Induction Motor

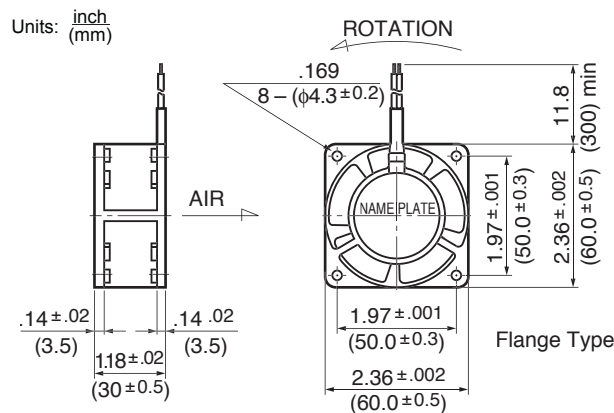
Motor Protection: Impedance Protection

Expected Life

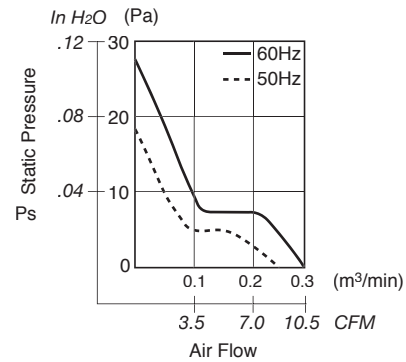
Failure Rate: 10%

25°C 50,000 Hours

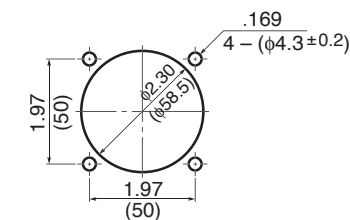
Outline



Characteristic Curves



Panel Cut-outs



Material

Casing : Aluminum

Impeller : Polycarbonate (Glass Fiber-Containing)

Bearing : Ball Bearings

Lead Wire : UL3266, CSA CL1252, AWG22

Specifications

MODEL	Rated Voltage	Frequency	Starting Voltage	Current	Input Power	Speed	Max. Air Flow		Max. Static Pressure		Noise	Mass
	(V)	(Hz)	(V)	(A) ^{*1}	(W) ^{+10% -20%}	(min ⁻¹) ^{*3}	CFM ^{*2}	(m ³ /min) ^{*3}	in H ₂ O	(Pa) ^{*3}	(dB) ^{*2}	(g)
2412PS-10W-B30-B00	100	50	65	0.080	6.0	2000	7.0	0.20	.05	13.7	28	140
	100	60	65	0.070	5.0	2600	9.1	0.26	.09	22.6	29	140
2412PS-12W-B30-A00	115	50	65	0.070	4.5	2000	7.0	0.20	.05	13.7	28	140
	115	60	65	0.060	4.0	2600	9.1	0.26	.09	22.6	29	140

Rotation: Counterclockwise

Airflow Outlet: Air Out Over Struts

*1: Maximum Values in Free Air

*2: Average Values in Free Air

*3: Minimum Values in Free Air