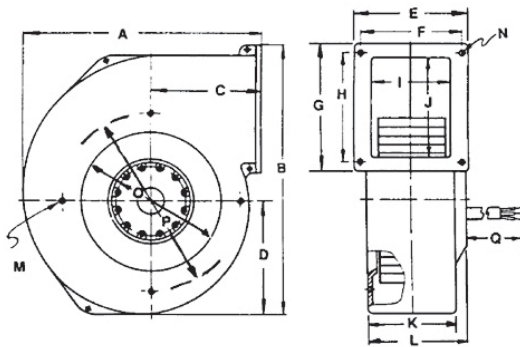


RG22P Series Centrifugal Blower

Ø 220mm

- AC single inlet, forward curved centrifugal blower in standard housing. The integrated external-rotor motor is mounted inside the housing.
- Housing and impeller made of galvanized sheet-steel. Forward curved impellers are directly press-fitted onto the rotor of the external-rotor motor.
- Direction of rotation is CW as seen from inlet side. Insulation class "F".
- Maintenance-free ball bearings.
- UL, CSA, VDE approvals on some models, please contact application engineering.

| Part Number | Curve | CFM @ 0 | VAC | Hertz | Power (W) | dBA | Max Amb. Temp. C | Bearing Type | Features | Capacitor (µF) | Wgt. (lbs) |
|----------------|-------|---------|-----|-------|-----------|-----|------------------|--------------|----------|----------------|------------|
| RG22P-4/106480 | 2 | 820 | 115 | 60 | 490 | 86 | 40 | Ball | Leads | 25 | 30.0 |
| RG22P-4/121191 | 2 | 820 | 230 | 60 | 490 | 86 | 40 | Ball | Leads | 6 | 30.0 |



DIMENSIONS - inches (mm)

| PART NUMBER | A | B | C | D | E | F | G | H |
|-------------|----------------|----------------|---------------|---------------|---------------|---------------|----------------|----------------|
| RG22P | 14.96 (380) | 18.62 (473) | 7.09 (180) | 7.76 (197) | 7.87 (200) | 6.93 (176) | 13.70 (348) | 12.44 (316) |
| | I | J | K | L | M | N | Q | |
| | 5.67 (144) | 11.14 (283) | 5.67 (144) | 9.49 (241) | M12 | .39 (10) | 17.72 (450) | |

