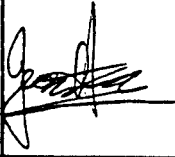
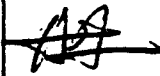


SPECIFICATION FOR APPROVAL

CUSTOMER :
DESCRIPTION : DC BRUSHLESS FAN
DIMENSIONS : 40X40X10 mm
MODEL : KDE0504PFB3-8
APPROVED NO :
APPROVED BY :
 (AUTHORIZED)



DAWN.	3/4	CHKD.		APPD.		SPEC. NO.	042458300
						ISSUE DATE	01.04.1996
						EDITION	0
						REVISE DATE	

EME Fan & Motor (949) 583-9785 [Fax]
25501 Arctic Ocean Drive (949) 583-9802
Lake Forest, CA. 92630

DC BRUSHLESS FAN

MODEL: KDE0504PFB3-8

CHARACTERISTICS

- 1. Input power , Current & Speed : Measured after continuous 30 minutes operation at rated voltage in clean air at ambient temperature of 25 degrees C.
- 2. Noise Level : Measured in an semi-anechoic chamber with background noise level below 15 dBA. The fan is running in free air with microphone at a distance of one meter from the fan intake.
- 3. Dielectric Strength : Applied AC 500V for one minute or AC 600V for 2 seconds between housing and lead wire(+)
- 4. Motor Design : Patented single-coil DC brushless 8 poles motor design.
- 5. Insulation Resistance : More than 500M ohm between internal stator and lead wire(+) measured by DC 500V.
- 6. Tolerances : +-15% on rated power and current
- 7. Motor Protection : Polarity protected & Locked rotor protected.
- 8. Air Performance : Measured by a double chamber. The value are recorded when the fan speed is stabilized at rated voltage.



建準電機工業股份有限公司 SUNONWEALTH ELECTRIC MACHINE INDUSTRY CO., LTD.	SPEC. NO.	042458300	REVISE DATE	
	ISSUE DATE	01.04.1996	EDITION	0
	PAGE	2 OF 5		

SPECIFICATIONS

MODEL: KDE0504PFB3-8

- | | | |
|------------------------------|---|----------------------------------|
| 1-1. Rated Voltage | : | 5 VDC |
| 1-2. Operating Voltage Range | : | 4-6 VDC |
| 1-3. Starting Voltage | : | 4 VDC |
| 1-4. Rated Speed | : | 5300 RPM±1000 RPM |
| 1-5. Air Delivery | : | 4.8 CFM |
| 1-6. Static Pressure | : | 0.10 Inch-H ₂ O |
| 1-7. Rated Current | : | 0.08 AMP |
| 1-8. Rated Power | : | 0.4 WATTS |
| 1-9. Noise Level | : | 23.5 dB(A) |
| 1-10. Direction of Rotation | : | Clockwies viewed from front face |
| 1-11. Operating Temperature | : | -20 to +80 Deg.C |
| 1-12. Storage Temperature | : | -40 to +80 Deg.C |
| 1-13. Bearing System | : | Precise ball bearing system |
| 1-14. Weight | : | 20g |
| 1-15. Safety | : | UL/CUR Approvals |

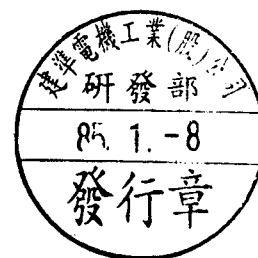
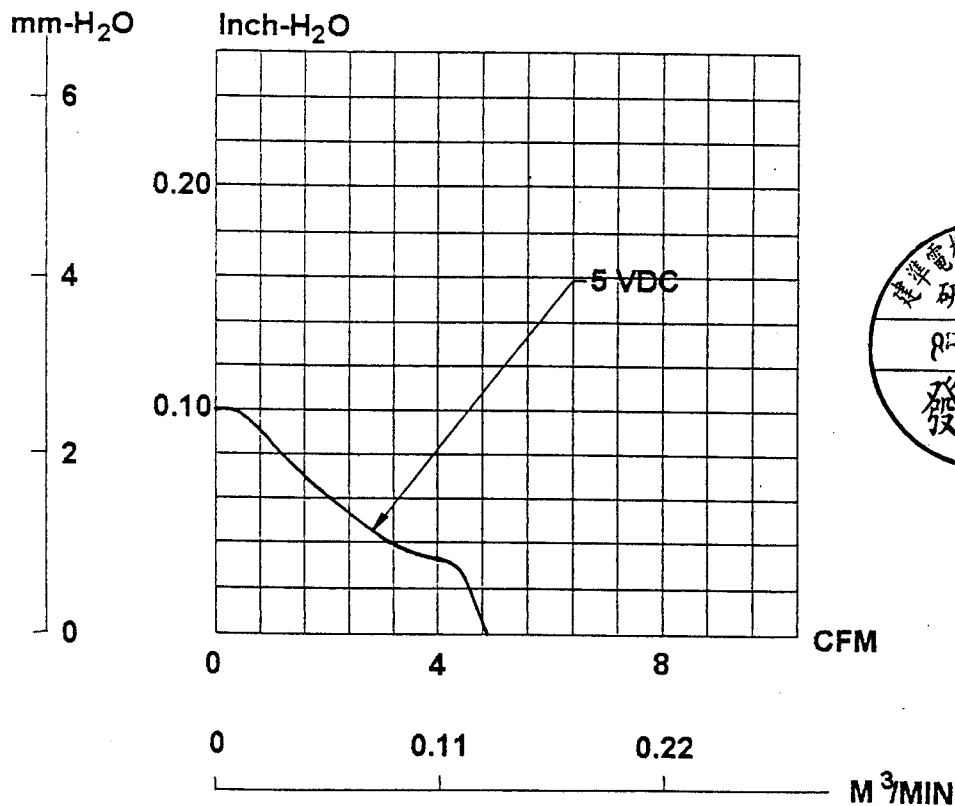


建準電機工業股份有限公司 SUNONWEALTH ELECTRIC MACHINE INDUSTRY CO., LTD.	SPEC. NO.	042458300	REVISE DATE	
	ISSUE DATE	01.04.1996	E.DITION	0
	PAGE	3 OF 5		

MODEL: KDE0504PFB3-8

PERFORMANCE CURVES

STATIC PRESSURE

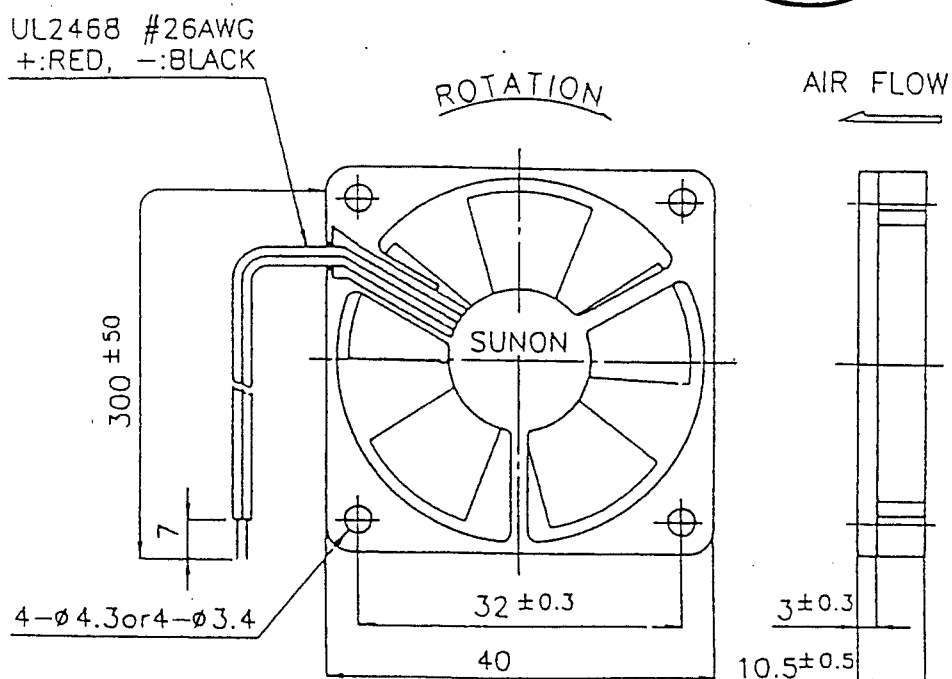


建準電機工業股份有限公司 SUNONWEALTH ELECTRIC MACHINE INDUSTRY CO., LTD.	SPEC. NO.	042458300	REVISE DATE	
	ISSUE DATE	01.04.1996	EDITION	0
	PAGE	4 OF 5		

MATERIAL

- 2-1. Frame : Thermoplastic PBT of UL 94V-0
- 2-2. Impeller : Thermoplastic PBT of UL 94V-0
- 2-3. Bobbin : Thermoplastic PBT of UL 94V-0
- 2-4. Lead Wire : UL2468, 26AWG, +:RED ; -:BLACK

DIMENSIONS



UNIT : mm

建準電機工業股份有限公司 SUNONWEALTH ELECTRIC MACHINE INDUSTRY CO., LTD.	SPEC. NO.	042458300	REVISE DATE	
	ISSUE DATE	01.04.1996	EDITION	0
	PAGE	5 OF 5		

SUNONWEALTH ELECTRIC MACHINE IND. CO., LTD.

LIFE TEST REPORT

QCF-090701

MODEL NO.	KDE0504PFB3-E	TEST CONDITION	5 VDC	TEST PERIOD	START	06/23/95
ELEC-SPEC.	RPM. 5300. mA 0.08	A. INPUT	65 °C	FINISH	09/29/95	
TEST SAMPLES	50 PCS	B. TEMP.		FAILURES	2	
TEST HRS/EA	2352 Hrs			CONF. LEVEL	90 %	
TOTAL TEST HRS	117600 Hrs			APPLICATION, MTBF	22096 Hrs	

FAILURE DEFINITION	TEST RESULT, (INCLUDING TIME TO FAILURE, DATA, STATISTICS... ETC.)	INTERPRETATION ON FAILURES
1. PAN HOT WORK	CUM. F TIME(HRS) QTY AT R(%) CUM. F(%)	
2. RPM. OVER 20 % OF ORIGIN	1 2352 49 2.00 %	DEAD POINT
3. mA OVER 20 % OF ORIGIN	2 2352 48 4.00 %	NOISE
4. VIBRATION		
5. ABNORMAL SOUND		
CHECK POINT AT THE HOURS OF 168, 336, 504,.....,2352	TOTAL TEST HRS=2352* 1 + 2352* 1 + 2352* 1 + 2352* 1 = 117600	
	BY CUI-SQUARE TABLE ; GET MTBF = 22096	

MTBF FOR OTHER TEMPERATURE	25 °C	30 °C	35 °C	40 °C	45 °C	50 °C	55 °C	60 °C	65 °C	70 °C	75 °C	80 °C
BY A.F COUNTING	83204	69159	57832	48336	41126	34957	29881	25629	22096	19133	16636	14522

APPROVED by:	<input type="checkbox"/>	CHECKED by:	<input type="checkbox"/>
		INSPECTED by:	

H2-14