

SPECIFICATION FOR APPROVAL

CUSTOMER :

DESCRIPTION : DC BRUSHLESS FAN

DIMENSIONS : 50X50X10 mm

MODEL : KDE0505PFS1-8

APPROVED NO :

APPROVED BY :
(AUTHORIZED)



| | | | | | | | |
|-------|---------|-------|--|-------|--|-------------|------------|
| DAWN. | 張育真 之/6 | CHKD. | | APPD. | | SPEC. NO. | 052354300 |
| | | | | | | ISSUE DATE | 01.16.1996 |
| | | | | | | EDITION | 0 |
| | | | | | | REVISE DATE | |

建準電機工業股份有限公司

SUNONWEALTH ELECTRIC MACHINE INDUSTRY CO., LTD.

12FL., 120 CHUNG CHENG 1ST RD.,

TEL:886-7-7163069(41 LINES)

KAOHSIUNG, TAIWAN, R. O. C.

FAX:886-7-7163086~89

DC BRUSHLESS FAN

MODEL: KDE0505PFS1-8

CHARACTERISTICS

- 1. Motor Design** : **Patented single-coil DC brushless 8 poles motor design.**
- 2. Insulation Resistance** : **More than 500M ohm between internal stator and lead wire(+) measured by DC 500V.**
- 3. Dielectric Strength** : **Applied AC 500V for one minute or AC 600V for 2 seconds between housing and lead wire(+)**
- 4. Noise Level** : **Measured in an semi-anechoic chamber with background noise level below 15 dBA. The fan is running in free air with microphone at a distance of one meter from the fan intake.**
- 5. Input power , Current & Speed** : **Measured after continuous 30 minutes operation at rated voltage in clean air at ambient temperature of 25 degrees C.**
- 6. Tolerances** : **+/-15% on rated power and current**
- 7. Motor Protection** : **Polarity protected & Locked rotor protected.**
- 8. Air Performance** : **Measured by a double chamber. The value are recorded when the fan speed is stabilized at rated voltage.**



| | | | | |
|--|------------|--------------|-------------|---|
| 建準電機工業股份有限公司 SUNONWEALTH ELECTRIC MACHINE INDUSTRY CO., LTD. | SPEC. NO. | 052354300 | REVISE DATE | |
| | ISSUE DATE | 01. 16. 1996 | EDITION | 0 |
| | PAGE | 2 OF 5 | | |

| |
|-----------------------|
| SPECIFICATIONS |
|-----------------------|

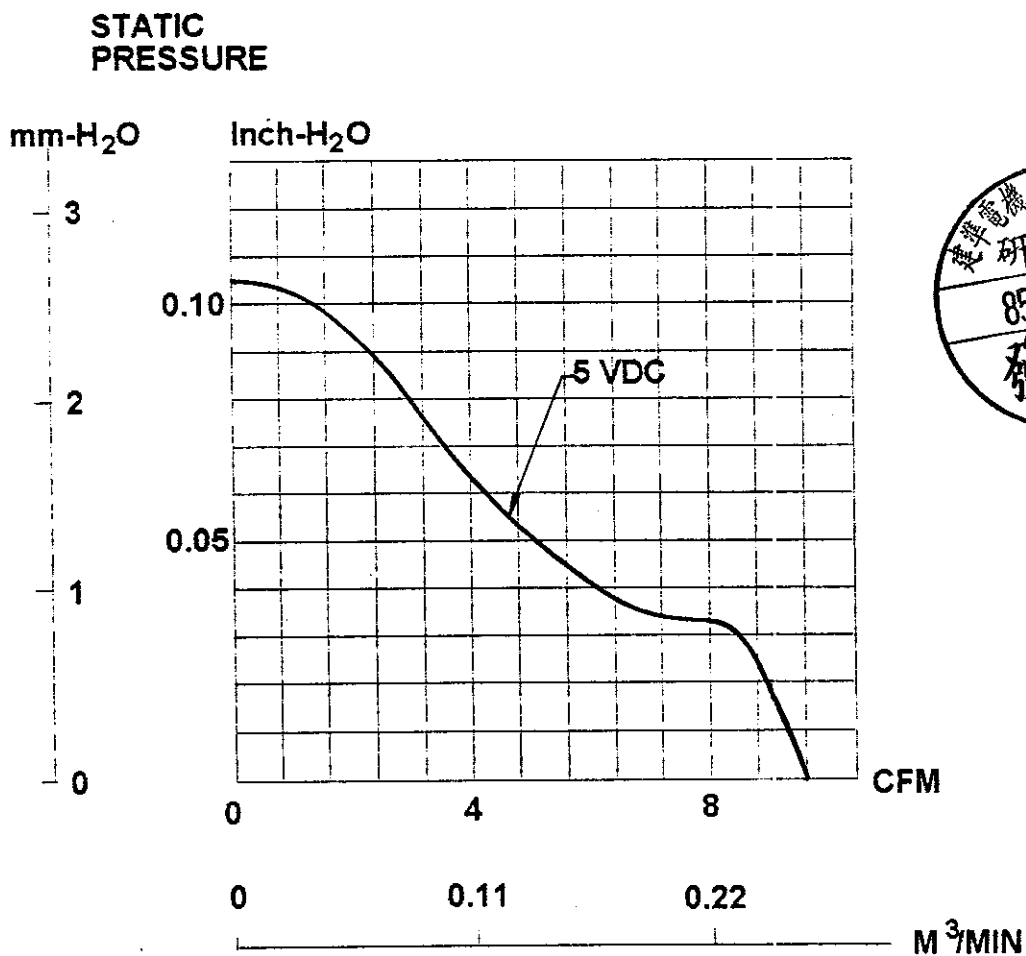
MODEL: KDE0505PFS1-8

| | | |
|------------------------------|---|----------------------------------|
| 1-1. Rated Voltage | : | 5 VDC |
| 1-2. Operating Voltage Range | : | 4-6 VDC |
| 1-3. Starting Voltage | : | 4 VDC |
| 1-4. Rated Speed | : | 5100 RPM±700 RPM |
| 1-5. Air Delivery | : | 9.6 CFM |
| 1-6. Static Pressure | : | 0.105 Inch-H ₂ O |
| 1-7. Rated Current | : | 0.17 AMP |
| 1-8. Rated Power | : | 0.9 WATTS |
| 1-9. Noise Level | : | 30.5 dB(A) |
| 1-10. Direction of Rotation | : | Clockwies viewed from front face |
| 1-11. Operating Temperature | : | -10 to +70 Deg.C |
| 1-12. Storage Temperature | : | -40 to +80 Deg.C |
| 1-13. Bearing System | : | Lubricated sleeve bearing system |
| 1-14. Weight | : | 24g |
| 1-15. Safety | : | UL/CUR Approvals |



MODEL: KDE0505PFS1-8

PERFORMANCE CURVES



建準電機工業股份有限公司
SUNONWEALTH ELECTRIC
MACHINE INDUSTRY CO., LTD

SPEC. NO.

052354300

REVISE DATE

ISSUE DATE

01. 16. 1996

EDITION

0

PAGE

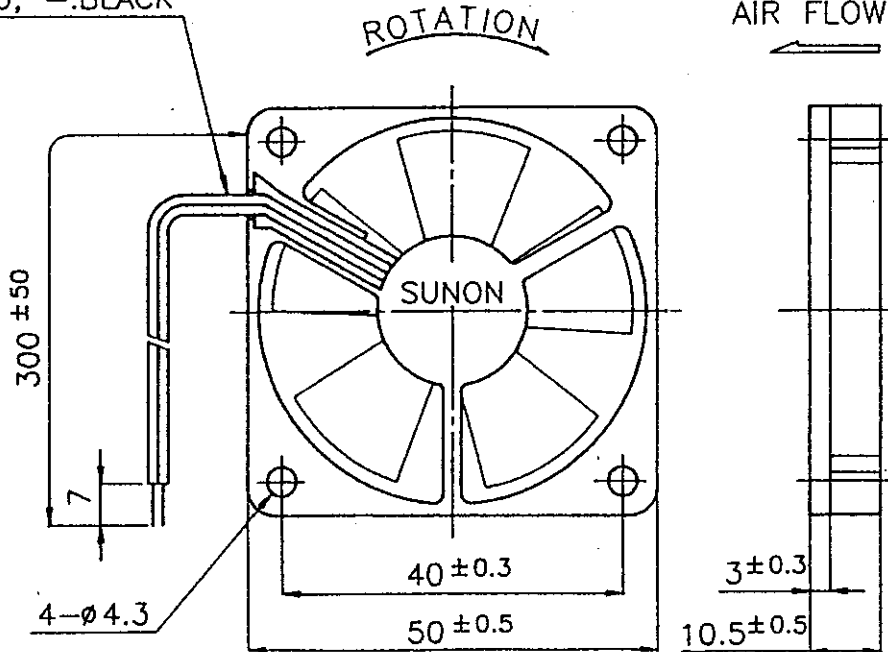
4 OF 5

MATERIAL

- 2-1. Frame : Thermoplastic PBT of UL 94V-0
- 2-2. Impeller : Thermoplastic PBT of UL 94V-0
- 2-3. Bobbin : Thermoplastic PBT of UL 94V-0
- 2-4. Lead Wire : UL2468, 26AWG, +:RED ; -:BLACK

DIMENSIONS

UL2468 #26AWG
+:RED, -:BLACK



UNIT : mm

| | | | | |
|--|------------|--------------|-------------|---|
| 建準電機工業股份有限公司 SUNONWEALTH ELECTRIC MACHINE INDUSTRY CO., LTD. | SPEC. NO. | 052354300 | REVISE DATE | |
| | ISSUE DATE | 01. 16. 1996 | EDITION | 0 |
| | PAGE | 5 OF 5 | | |