

SPECIFICATION FOR APPROVAL

CUSTOMER :
DESCRIPTION : DC BRUSHLESS FAN
DIMENSIONS : 50X50X10 mm
MODEL : KDE0505PFB1-8
APPROVED NO :
APPROVED BY :
(AUTHORZIED)



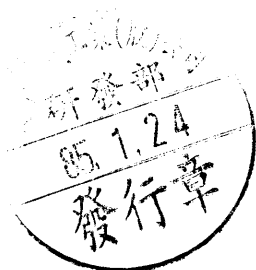
| | | | | | | | |
|---|-------------|-------|--|-------|--|-------------|------------|
| DAWN. | 張育真 元/17 | CHKD. | | APPD. | | SPEC. NO. | 052454300 |
| | | | | | | ISSUE DATE | 01.17.1996 |
| | | | | | | EDITION | 0 |
| | | | | | | REVISE DATE | |
| 建準電機工業股份有限公司 SUNONWEALTH ELECTRIC MACHINE INDUSTRY CO., LTD. 12FL., 120 CHUNG CHENG 1ST RD., TEL:886-7-7163069(41 LINES) KAOHSIUNG, TAIWAN, R. O. C. FAX:886-7-7163086~89 | | | | | | | |

DC BRUSHLESS FAN

MODEL: KDE0505PFB1-8

CHARACTERISTICS

1. Motor Design : Patented single-coil DC brushless 8 poles motor design.
2. Insulation Resistance : More than 500M ohm between internal stator and lead wire(+) measured by DC 500V.
3. Dielectric Strength : Applied AC 500V for one minute or AC 600V for 2 seconds between housing and lead wire(+)
4. Noise Level : Measured in an semi-anechoic chamber with background noise level below 15 dBA. The fan is running in free air with microphone at a distance of one meter from the fan intake.
5. Input power , Current & Speed : Measured after continuous 30 minutes operation at rated voltage in clean air at ambient temperature of 25 degrees C.
6. Tolerances : +-15% on rated power and current
7. Motor Protection : Polarity protected & Locked rotor protected.
8. Air Performance : Measured by a double chamber. The value are recorded when the fan speed is stabilized at rated voltage.



| | | | | |
|--|------------|--------------|-------------|---|
| 建準電機工業股份有限公司 SUNONWEALTH ELECTRIC MACHINE INDUSTRY CO., LTD. | SPEC. NO. | 052454300 | REVISE DATE | |
| | ISSUE DATE | 01. 17. 1996 | EDITION | 0 |
| | PAGE | 2 OF 5 | | |

| |
|-----------------------|
| SPECIFICATIONS |
|-----------------------|

MODEL: KDE0505PFB1-8

| | | |
|------------------------------|---|----------------------------------|
| 1-1. Rated Voltage | : | 5 VDC |
| 1-2. Operating Voltage Range | : | 4-6 VDC |
| 1-3. Starting Voltage | : | 4 VDC |
| 1-4. Rated Speed | : | 5400 RPM \pm 700 RPM |
| 1-5. Air Delivery | : | 10.2 CFM |
| 1-6. Static Pressure | : | 0.11 Inch-H ₂ O |
| 1-7. Rated Current | : | 0.17 AMP |
| 1-8. Rated Power | : | 0.9 WATTS |
| 1-9. Noise Level | : | 31.5 dB(A) |
| 1-10. Direction of Rotation | : | Clockwies viewed from front face |
| 1-11. Operating Temperature | : | -10 to + 70 Deg. C |
| 1-12. Storage Temperature | : | -40 to + 70 Deg. C |
| 1-13. Bearing System | : | Precise ball bearing system |
| 1-14. Weight | : | 24g |
| 1-15. Safety | : | UL/CUR Approvals |

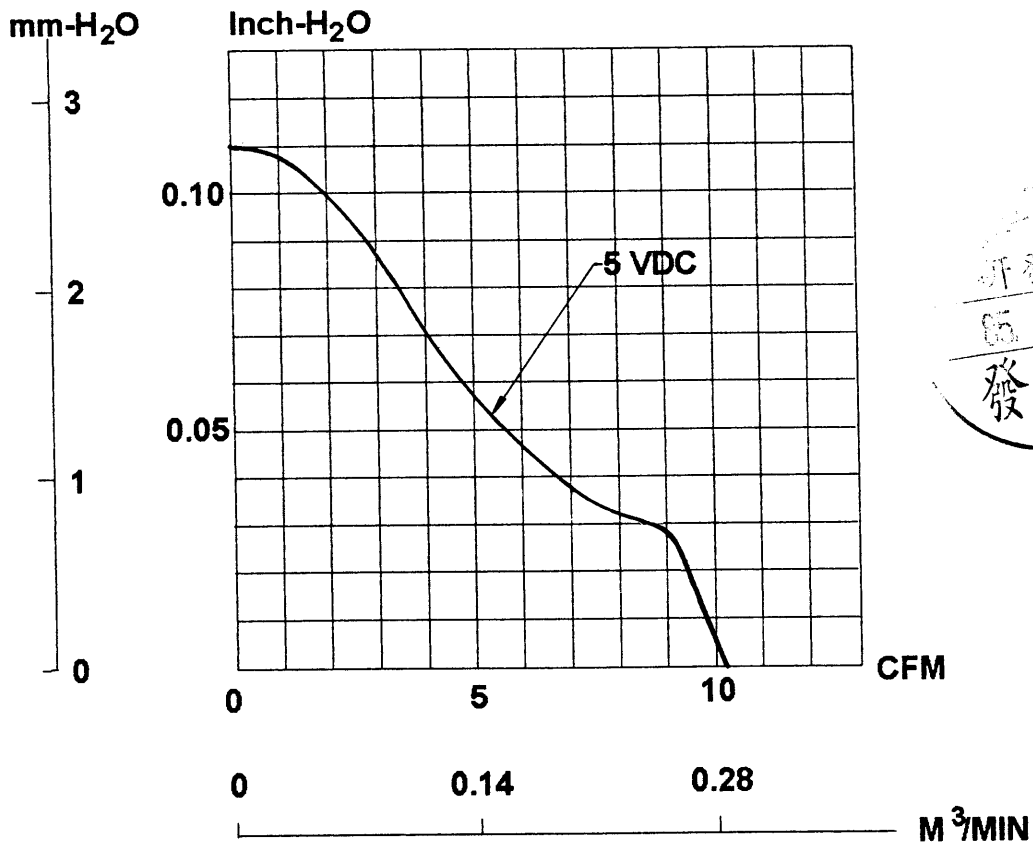


| | | | | |
|--|------------|--------------|-------------|---|
| 建準電機工業股份有限公司 SUNONWEALTH ELECTRIC MACHINE INDUSTRY CO., LTD. | SPEC. NO. | 052454300 | REVISE DATE | |
| | ISSUE DATE | 01. 17. 1996 | EDITION | 0 |
| | PAGE | 3 OF 5 | | |

MODEL: KDE0505PFB1-8

PERFORMANCE CURVES

STATIC PRESSURE



| | | | | |
|--|------------|--------------|-------------|---|
| 建準電機工業股份有限公司 SUNONWEALTH ELECTRIC MACHINE INDUSTRY CO., LTD. | SPEC. NO. | 052454300 | REVISE DATE | |
| | ISSUE DATE | 01. 17. 1996 | EDITION | 0 |
| | PAGE | 4 OF 5 | | |

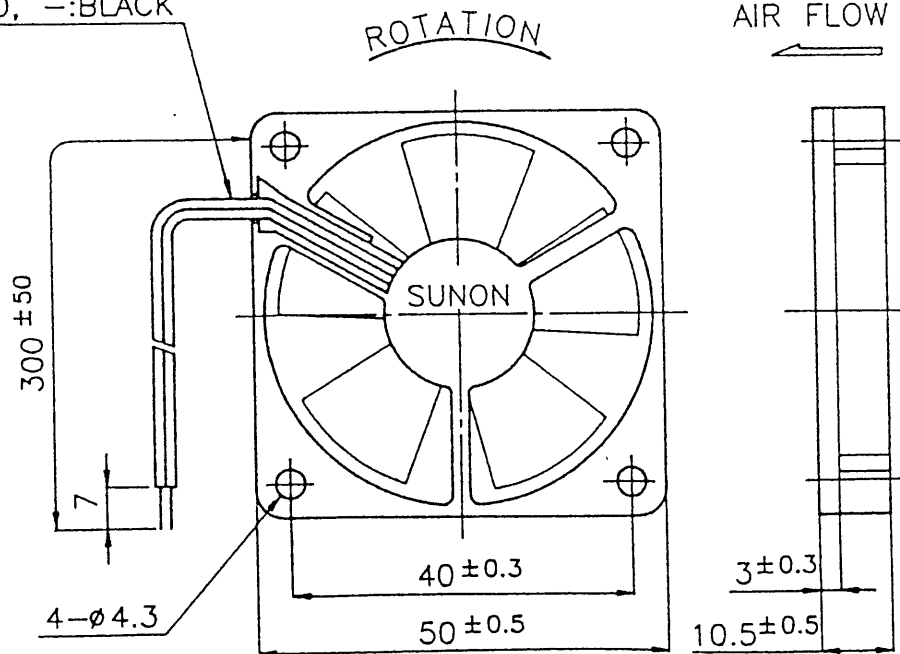
MATERIAL

- 2-1. Frame : Thermoplastic PBT of UL 94V-0
- 2-2. Impeller : Thermoplastic PBT of UL 94V-0
- 2-3. Bobbin : Thermoplastic PBT of UL 94V-0
- 2-4. Lead Wire : UL2468, 26AWG, +:RED ; -:BLACK

DIMENSIONS



UL2468 #26AWG
+:RED, -:BLACK



UNIT : mm

| | | | | |
|--|------------|--------------|-------------|---|
| 建準電機工業股份有限公司 SUNONWEALTH ELECTRIC MACHINE INDUSTRY CO., LTD. | SPEC. NO. | 052454300 | REVISE DATE | |
| | ISSUE DATE | 01. 17. 1996 | EDITION | 0 |
| | PAGE | 5 OF 5 | | |