



SPECIFICATION FOR APPROVAL

CUSTOMER : INTEL/USA
MODEL NO : GC123506BH-8
P/N : DA.05.N.B515
DESCRIPTION : 3D VGA CARD COOLER
DIMENSIONS : 38X38X8mm
APPROVED NO :
(AUTHORIZED)
APPROVED BY :

Drafted by <i>Fanny 2/27</i>	Checked by <i>Jessica Kiddy</i>	Appd. by <i>Winner</i>	SPEC. NO	Y202017
			ISSUED DATE	02. 27. 2003
			EDITION	0

建準電機工業股份有限公司

SUNONWEALTH ELECTRIC MACHINE INDUSTRY CO., LTD.

12FL., 120 CHUNG CHENG 1ST RD.,

KAOHSIUNG, TAIWAN, R. O. C.

TEL:886-7-7163069(41 LINES)

FAX:886-7-7163086~89

MODEL NUMERING SYSTEM

GC **12** **35** **06** **B** **H** - **8**

CAP FAN SERIRS

GC:Green Motor CAP Fan

VOLTAGE

05 : 5VDC
12 : 12VDC
24 : 24VDC

FAN SIZE

35 : 35 mm
04 : 40 mm

FAN THICKNESS

06 : 6 mm
07 : 7 mm
10 : 10mm

MOTOR POLES

8 : 8 POLES
BLANK:4 POLES

SPEED

H : HIGH
M : MIDDLE
L : LOW

BEARING SYSTYEM

B : BALL
S : SLEEVE
V : VAPO

P/N :

DA . **05** . **N**

CAP FAN SIZE

DA :38X38x8mm With Groove

COOLER SIZE

05 : 38X38X6 mm Heat Sink

SMALLER HUB

SUNONWEALTH ELECTRIC
MACHINE INDUSTRY CO., LTD.
建準電機工業股份有限公司

PAGE	1
SPEC. NO.	Y202017
ISSUED DATE	02. 27. 2003
EDITION	0

3D CARD COOLER SERIES**MODEL : GC123506BH-8****P/N : DA.05.N.B515****SPECIFICATIONS**

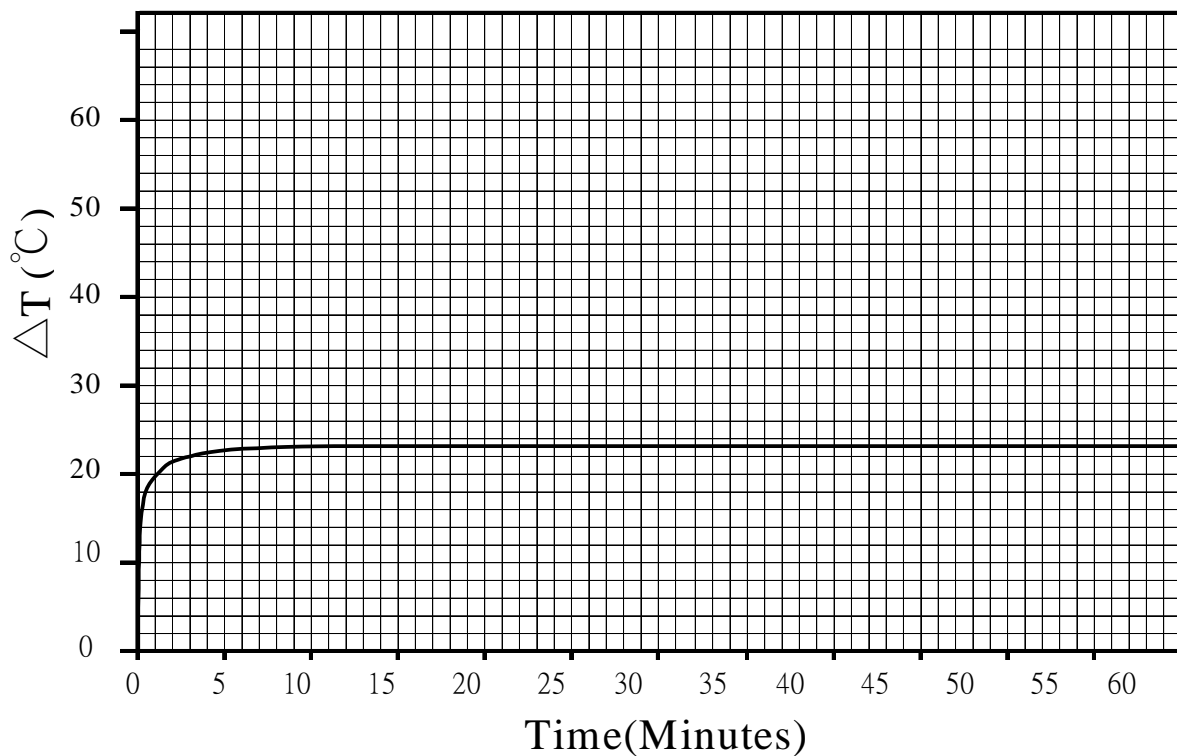
1.Plastic Material of Cap Fan	Polybutylene Terephthalate (PBT)/Black Color		
2.Bearing System	Ball Bearing System		
3.Rated Voltage (VDC)	12 VDC		
4.Operating Voltage Range(VDC)	6~13.8 VDC		
5.Starting Voltage (VDC)	5 VDC		
6.Rated Current (AMP)	0.10 AMP		
7.Rated Power (WATTS)	1.2 WATTS		
8.Rated Speed (RPM)	8800 RPM \pm 10%		
9.Noise Level (dBA)	32 dB(A)		
10.Air Delivery (CFM)	6.0 CFM		
11.Static Pressure (Inch-H ₂ O)	0.16 Inch-H ₂ O		
12.Operating Temperature	-10°C ~+70°C		
13.Storage Temperature	-40°C ~+70°C		
14.Insulation Resistance	More than 500M ohm		
15.Heat Sink Size	38X38X6mm		
16.Heat Sink Material	Aluminum alloy 6063 T5		
17.Input Power	10 W		
18.Thermal Resistance	2.29 °C/W		
19.Weight	11g		
SUNONWEALTH ELECTRIC MACHINE INDUSTRY CO., LTD. 建準電機工業股份有限公司		PAGE	2
		SPEC. NO.	Y202017
		ISSUED DATE	02. 27. 2003
		EDITION	0

3D VGA CARD Cooler Thermal Resistance testing

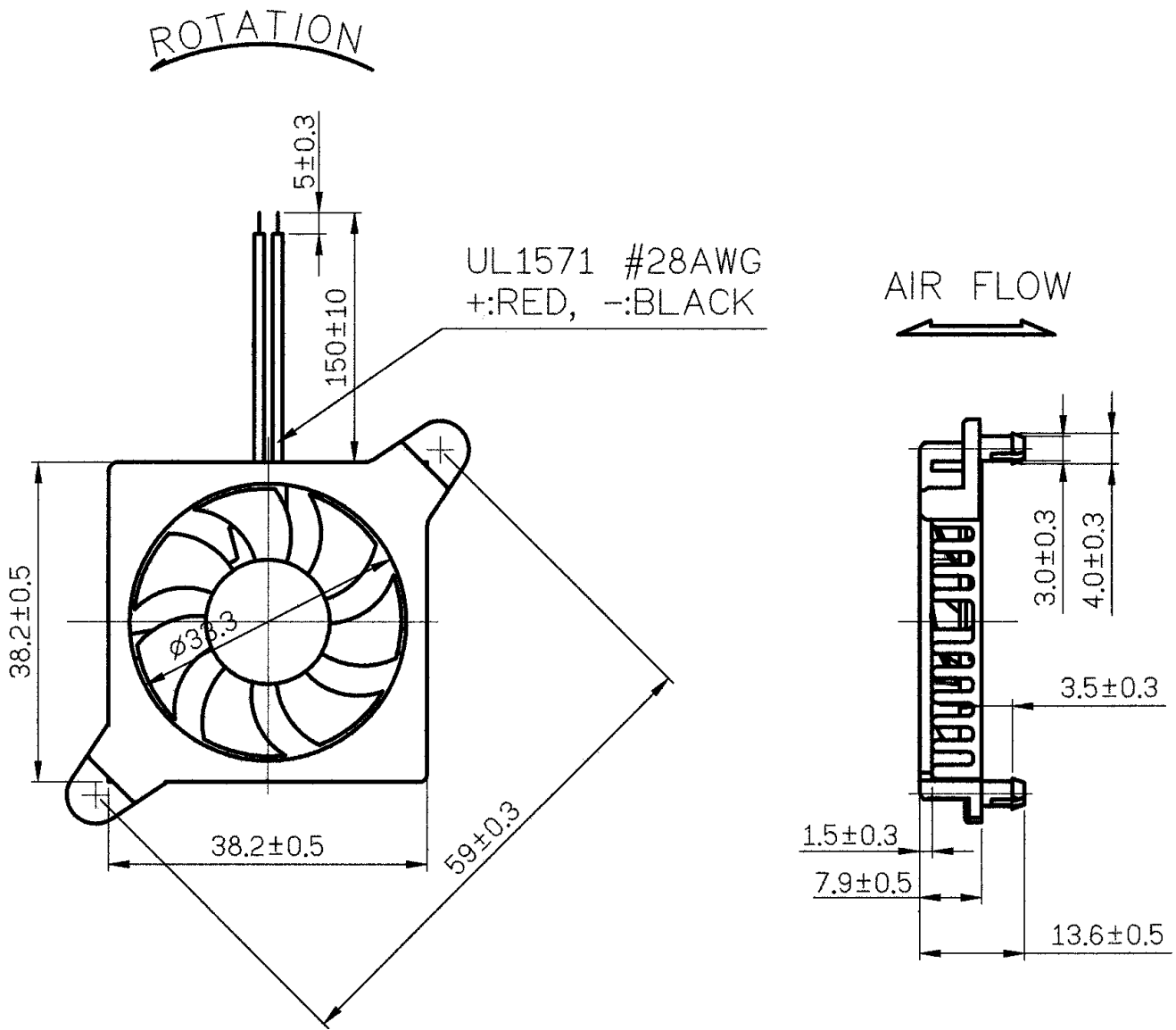
- A. Purpose : The measurement of total thermal resistance for the Cooler
- B. Test Conditions : Input power 10W, temperature of environment 45°C
- C. Results of the test :

environment Temperature (T _a)	Total Thermal Resistance (°C/W)
45°C	2.29

ΔT Chart



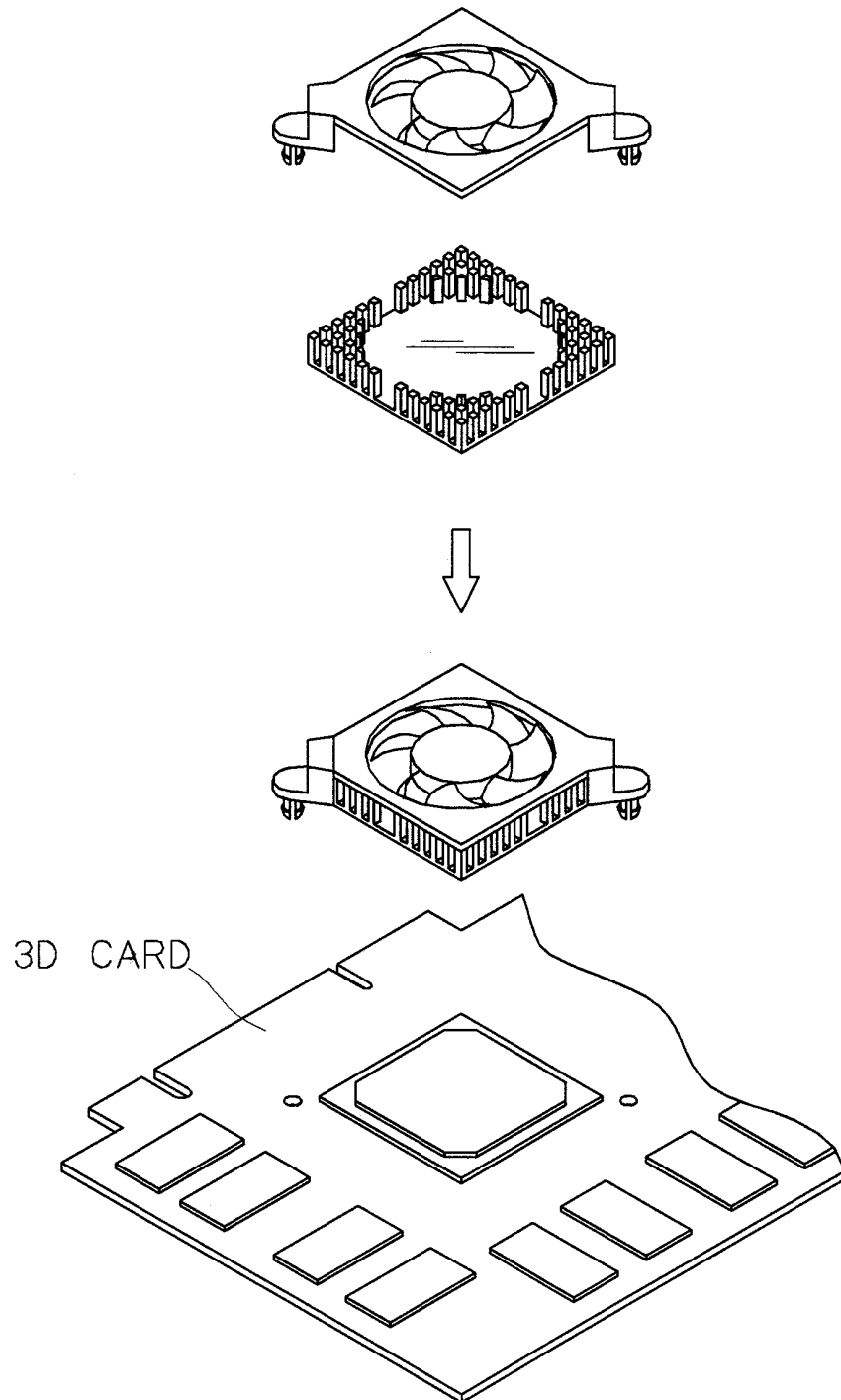
DIMENSION



SUNONWEALTH ELECTRIC
MACHINE INDUSTRY CO., LTD.
建準電機工業股份有限公司

PAGE	4
SPEC. NO.	Y202017
ISSUED DATE	02. 27. 2003
EDITION	0

Manufacturing Assembly Flow



SUNONWEALTH ELECTRIC
 MACHINE INDUSTRY CO., LTD.
 建準電機工業股份有限公司

PAGE	5
SPEC. NO.	Y202017
ISSUED DATE	02. 27. 2003
EDITION	0

Notes

I . Safety

1. We will not guarantee the products if your application exceeds the limitation mentioned in this specification.
2. There is no thermo-protector installed in this product, such as thermo-fuse, or current-fuse or thermo-protector. There may be smoking, ignition or electric shock by insulation degradation in cases of motor lock, motor lead short circuit, over load, over voltage or other failure. Please add the protection circuit on your machine.
3. Due to the diode of reverse-connected prevention of VDC (+) and GND (-) is not installed in this product. Therefore, if VDC (+) and GND (-) are connected reversely, it may get smoking and destruction, moreover there is danger of the ignition. Even though it does not find the breakdown while reverse connecting, please still do not connected it reversely, because parts may be deteriorate. We recommend to install the protection device for the motor on your product side when there is a possibility to reverse-connect.
4. Please check the safety of your product carefully when installing our products into your machine
 - i) To make sure the safety of the motor in compliance with your application standard.
 - ii) If problem happens, please inform us before your machines are shipped into the market.
5. Please carefully handle and install this product. Hit or drop may cause damage.
6. Please do not damage this product including coil and lead wires while installing or wiring. There may be smoking or fire.

Notes

II .Specification modification

- 1.We are able to counsel about the cooling system design and fan installation.
- 2.Any change to the parameters specified in this document will be determined by mutual agreement on both parities.
- 3.Any parameters in this specification will not be modified without your approval. Other parameters which are not mentioned in this specification will be the same as the final sample which has been approved by your company.
- 4.If you think there is a essential to discuss a certain parameter in this specification which was not be considered, please inform us in advance. Otherwise we shall deem that there is no problems associate with this specification, and start shipment in accordance with this specification.
- 5.Any characteristics which have been modified during or after mutual discussion by both parties,or in any other occasions should be incorporated in this specification, and we shall take them to be our final guaranteed parameters.
- 6.Please inform us in advance if you are going to modify your machine or operate our products onto other application, because we will need to do a re-investigation .

SUNONWEALTH ELECTRIC
MACHINE INDUSTRY CO., LTD.
建準電機工業股份有限公司

PAGE	7
SPEC. NO.	Y202017
ISSUED DATE	02. 27. 2003
EDITION	0

Notes

III.Others

1. When build in your model, please check throughly on the variation of this product in association to the matching of performance, EMC, temperature rise, setting, life, and the quality level by dropping and shock testing, etc. If there are any problems or accidents in connection with this product, it should be discussed and examined mutually.
2. Fan holders or bearings might get damaged if you touch the fan with fingers or other objects. Please handle this product cautiously.
3. Please pay attentions during handling this product, since static electricity might damage the internal circuit parts.
4. Please avoid operating our product in poisonous material (such as organic silicon, cyanogens, formalin, phenol, etc.) or corrosion gas environments.(as H₂S, SO₂, NO₂, Cl₂, etc.) Please check carefully if there is any above substances.
5. We can not take any warranty for performance safety regarding accident caused by dust, water, droplets, dew, bugs, etc. Please ensure well in advance.
6. Please advice us in advance if you require documents for export.
7. Please install this product precisely, as unfit mounting may cause harsh resonance, vibration and noise.
8. When it comes to test, safety is always the top priority. Please furnish some guard accessories to prevent personnel from getting injury.
9. Unless otherwise notice, all tests are conducted at 25°C ambient temperature and 65% relative humidity.
10. Always ensure that fans are stored according to the storage temperatures specified. Do not store in an environment with a high humidity. If the fans were stored for longer than 6 months, it is highly recommended to apply functional testing before shipping.
11. In order to satisfy the mass production requirements, it is necessary to have more than two suppliers. Therefore, parts with the equivalent specification but different source can be accepted and used after being approved by SUNON.

SUNONWEALTH ELECTRIC
MACHINE INDUSTRY CO., LTD.
建準電機工業股份有限公司

PAGE	8
SPEC. NO.	Y202017
ISSUED DATE	02. 27. 2003
EDITION	0