

# 600NG Series

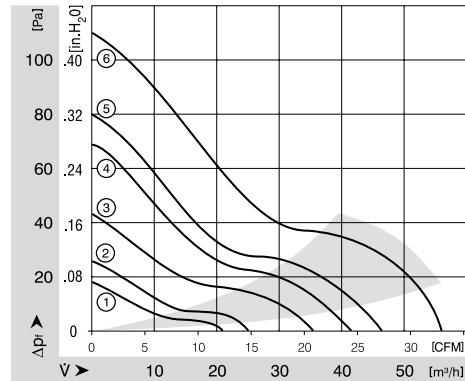
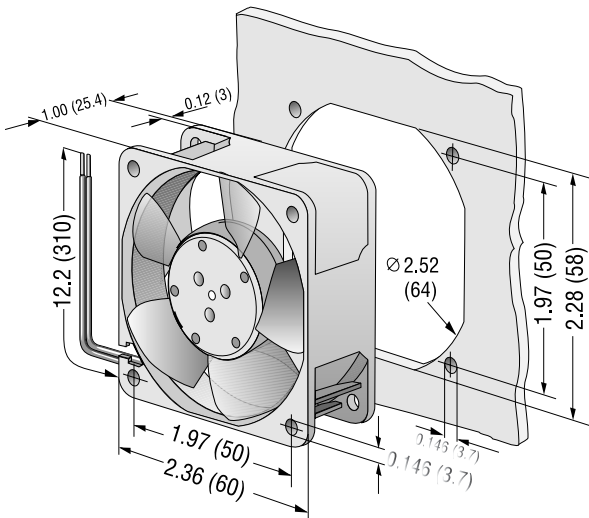
Tubeaxial

60x60x25mm



- DC fans with electronically commutated external rotor motor. Fully integrated commutation electronics.
- With electronic protection against reverse polarity, blocking and overloading.
- Mounting from either face using four 3.7 mm holes.
- Fan of fiberglass reinforced plastic. PBTP housing, PA impeller.
- Air exhaust over struts. Rotational direction CCW looking at rotor.
- Electrical connection via 2 leads AWG 22, TR 64. Stripped and tinned ends.
- UL, CSA, VDE approvals on some models, please contact application engineering.

Part Number	Curve	CFM @ 0	VDC	Volt. Range	Power (W)	dBA	Max Amb. Temp C	Bearing Type	Features	Wgt. (lbs)
612NGLE	1	12.4	12	8 to 15	0.6	16	85	Sintec	Leads	0.19
612NGMLE	2	14.7	12	8 to 15	0.7	19	85	Sintec	Leads	0.19
612NGME	3	20.6	12	8 to 15	1.2	28	75	Sintec	Leads	0.19
612NGN	4	24.7	12	8 to 15	2.1	35	70	Sintec	Leads	0.19
612NGH	5	27.1	12	8 to 15	2.6	38	70	Sintec	Leads	0.19
612NGHH	6	33.0	12	8 to 13.2	3.8	43	70	Sintec	Leads	0.19
614NGL	1	12.4	24	18 to 28	1.0	16	70	Sintec	Leads	0.19
614NGML	2	14.7	24	18 to 28	1.2	19	70	Sintec	Leads	0.19
614NGM	3	20.6	24	18 to 28	1.7	28	70	Sintec	Leads	0.19
614NGN	4	24.7	24	18 to 28	2.1	35	70	Sintec	Leads	0.19
614NGH	5	27.1	24	18 to 26	2.6	38	70	Sintec	Leads	0.19
614NGHH	6	33.0	24	18 to 26	3.8	43	70	Sintec	Leads	0.19



**ebmpapst**

e-mail: [sales@us.ebmpapst.com](mailto:sales@us.ebmpapst.com) · TEL: 860-674-1515 · FAX: 860-674-8536

ebm-papst Inc., 100 Hyde Road, Farmington, CT 06034 USA

ebm-papst Inc., 2006 © ebm-papst Inc. reserves the right to change any specifications or data without notice