

## 4118N/2HH-00187 DC Axial Fan

Axial fan for DC operation with an additional alarm signal. Driven by an electronically commutated external rotor motor. Electronic commutation system is integrated into the motor hub.



### Features

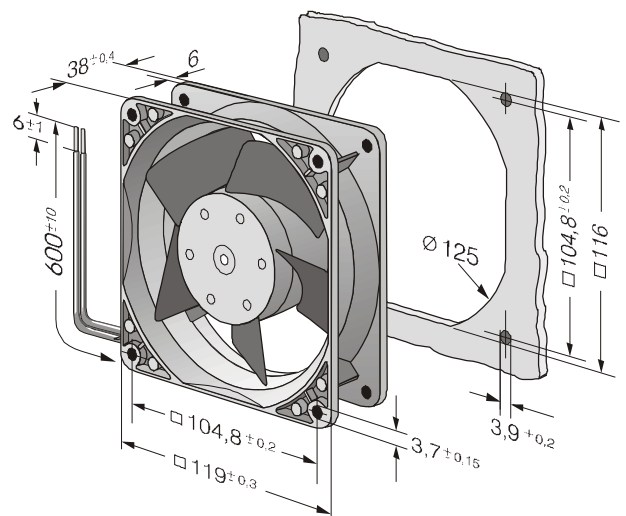
- Electronically protected against reverse polarity, overloading, and locking.
- Air intake over struts.
- Tacho output signal.
- Improved humidity protection.
- Electrical connection via 3 leads AWG 22 TR 64, 31 0mm long:  
Red = +48VDC  
Blue = GND  
White = Tacho Output Signal

### General Data

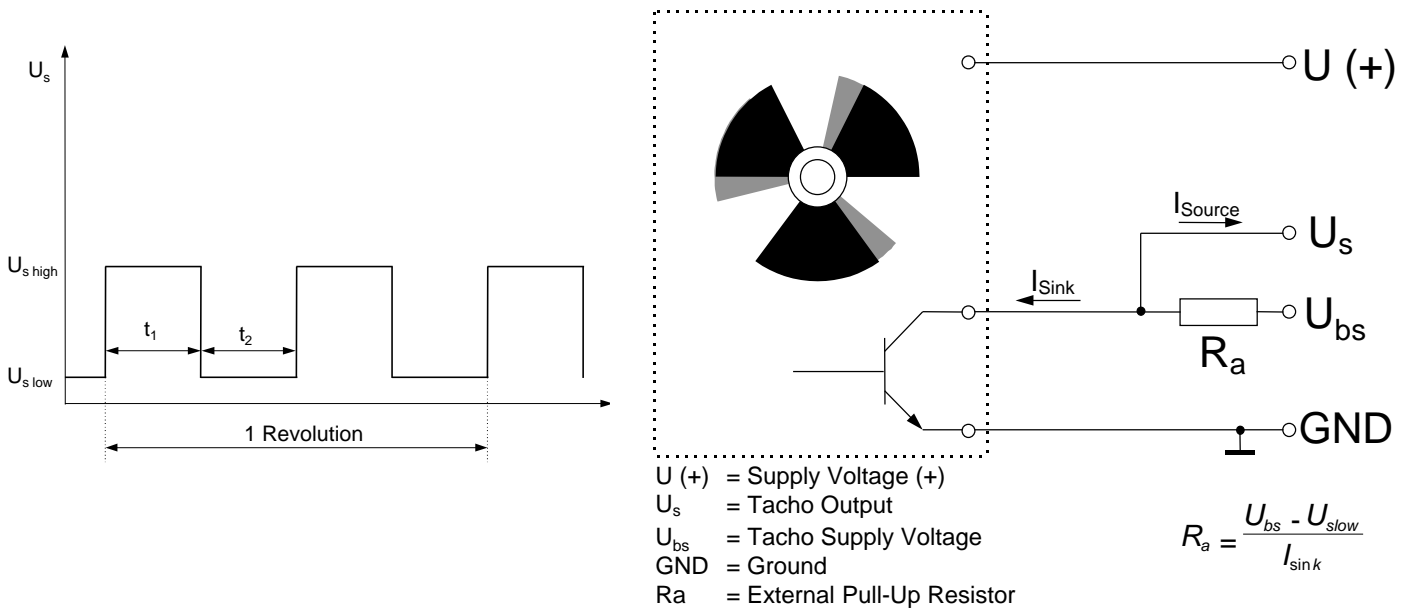
Nominal voltage	V DC	48
Voltage range	V DC	44 - 52
Nominal speed	min <sup>-1</sup>	5000
Max. flow rate	m <sup>3</sup> /h	270
Max. flow rate	CFM	160
Noise free air	dB(A)	64
Current consumption	mA	305
Power consumption	W	14,7
Permanent ambient temperature at max. voltage	°C	-20..... +50
Service life (40 °C)	h	70 000
Fan housing / impeller		Metal / PA 6.6
Bearing system		Ball bearings
Mass	g	390

All technical data are mean values at nominal conditions.

Preliminary data



## Sensor Output /2:



Output	2 pulses per revolution
$U_{bs}$	4...60 V DC
$U_{s\ high}$	4...60 V DC at $I_{source} = 0\ mA$
$U_{s\ low}$	$\leq 0,4\ V\ DC$ at $I_{sink} = 2\ mA$
$I_{sink\ max}$	$\leq 20\ mA$
$t_1 / t_2$	0,8 - 1,2