

# RL48DC Series

Flatpak

76x76x27mm



- DC radial blower with electronically commutated external rotor motor. Fully integrated commutation electronics.

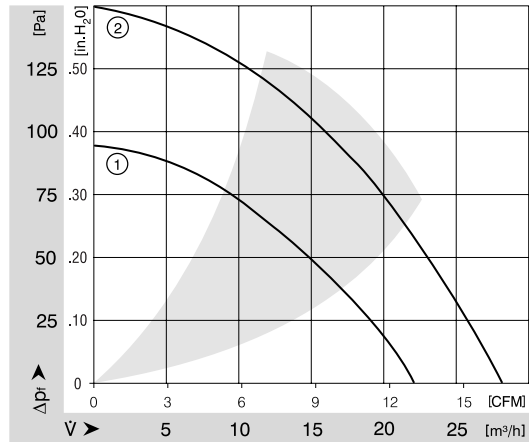
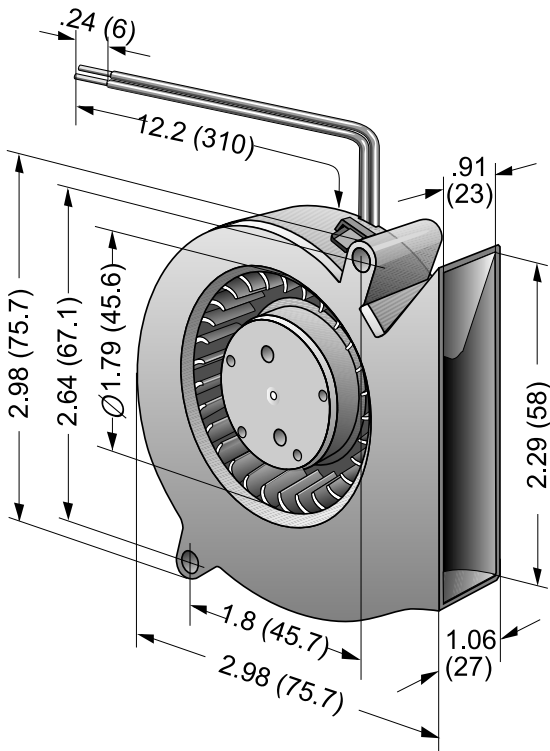
- With electronic protection against reverse polarity and overloading.

- Spiral housing and blower of fiber-glass reinforced plastic.

- Electrical connection via 2 leads AWG 22, TR 64. Stripped and tinned ends.

- UL, CSA, VDE approvals on some models, please contact application engineering.

Part Number	Curve	CFM @ 0	VDC	Volt. Range	Power (W)	dBa	Max Amb. Temp C	Bearing Type	Features	Wgt. (lbs)
RL48-19/12ML	1	12.9	12	8 to 15	2.9	51	70	Ball	Leads	0.17
RL48-19/12	2	16.5	12	8 to 13.5	5.0	51	70	Ball	Leads	0.17
RL48-19/14ML	1	12.9	24	18 to 28	2.9	51	70	Ball	Leads	0.17
RL48-19/14	2	16.5	24	18 to 26.4	5.0	51	70	Ball	Leads	0.17



**ebmpapst**

e-mail: [sales@us.ebmpapst.com](mailto:sales@us.ebmpapst.com) · TEL: 860-674-1515 · FAX: 860-674-8536

ebm-papst Inc., 100 Hyde Road, Farmington, CT 06034 USA

ebm-papst Inc., 2006 © ebm-papst Inc. reserves the right to change any specifications or data without notice