

BRUSHLESS DC FANS

F17HA

FEATURES

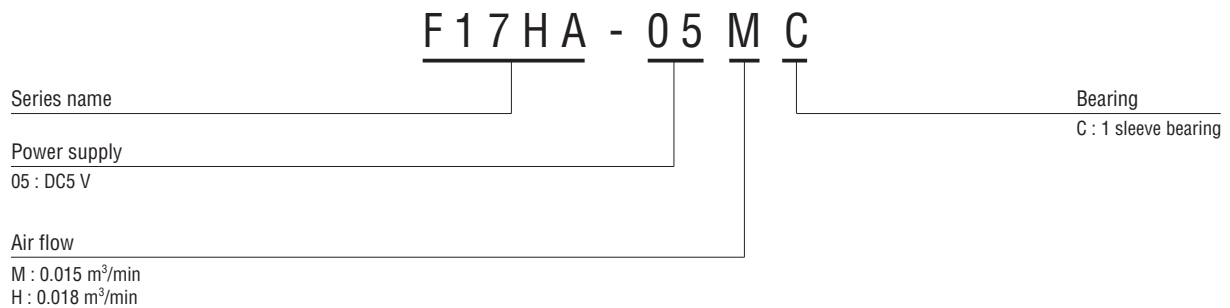
- Low noise, 7 dB (A) type by the correct application of hydrodynamic design of impeller and frame
- Light weight (approx. 2.3 g)

STRUCTURE

- Cover, Frame and impeller
Modified SUS, LCP and ABS/PBT alloy
- Bearing
C type : 1 sleeve bearing



PART NUMBER DESIGNATION



LIST OF PART NUMBERS

Power supply	Part number
DC5 V	F17HA-05MC
	➔ F17HA-05HC

* : Verify the above part numbers when placing orders.
Marked ➔ is manufactured upon receipt of order basis.

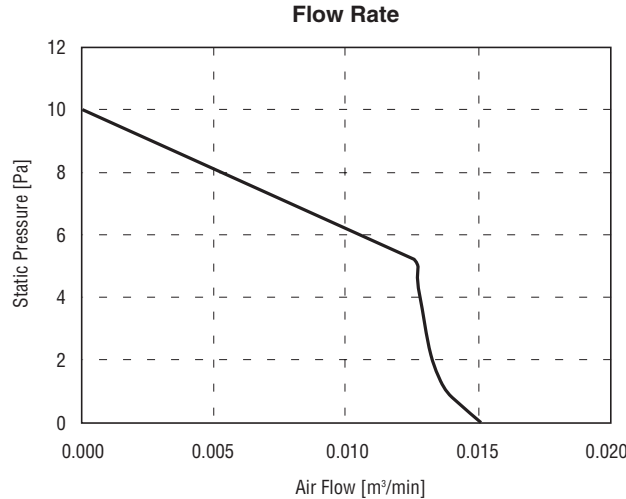
F17HA
BRUSHLESS DC FAN

STANDARD SPECIFICATIONS

Item	F17HA-05MC	F17HA-05HC
Rated voltage	DC5 V	
Voltage range	4.5 ~ 5.5 V	
Rated current	0.03 A	0.06 A
Rotating speed	8000 min ⁻¹	11000 min ⁻¹
Air flow	0.015 m ³ /min	0.018 m ³ /min
Static pressure	10.0 Pa	17.0 Pa
Noise	7 dB (A)	15 dB (A)
Net weight	Approx. 2.3 g	

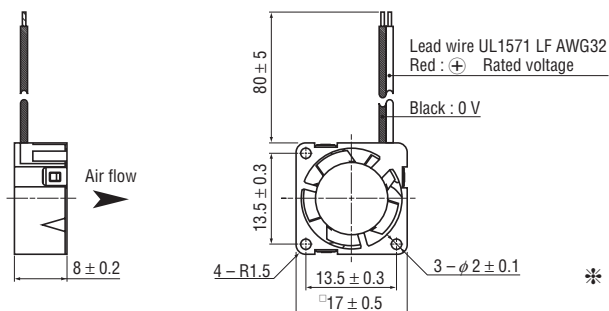
* : Figures in the table are typical values under rated operating condition.

AIR FLOW PERFORMANCE CURVES



OUTLINE DIMENSIONS

(Unit: mm)



* Please reserve φ 15.9 mm for the vent hole, otherwise "Air Flow" or "Noise" on the specification can't be secured.