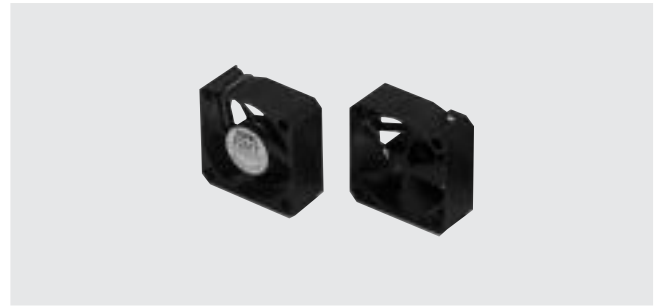


BRUSHLESS DC FANS



F251T

RoHS COMPLIANT



FEATURES

- Realized higher air flow by expansion of area of impeller
- Low noise, 12dB(A) type by the correct application of hydrodynamic design of impeller and frame
- Longer operating life and low-noise by sealed bearing structure
- FG signal output available to monitor change in motor condition

STRUCTURE

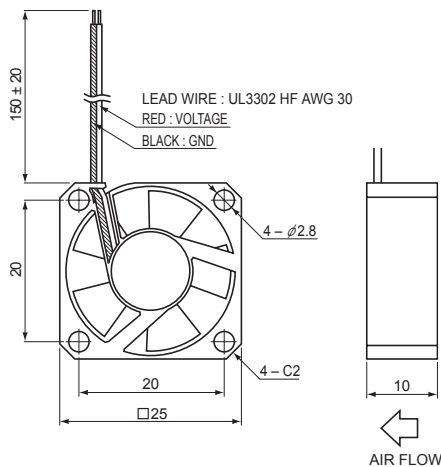
- Frame and impeller
ABS/PBT alloy
- Bearing
C type : Sleeve bearing

STANDARD SPECIFICATIONS

| Part number \ Item | Rated voltage(V) | Voltage range (V) | Rated current (A) | Rotating speed (min ⁻¹) | Air flow (m ³ /min) | Static pressure(Pa) | Noise dB(A) |
|--------------------|------------------|-------------------|-------------------|-------------------------------------|--------------------------------|---------------------|-------------|
| F251T-12LLC | 12 | 10.2 ~ 13.8 | 0.08 | 6,000 | 0.046 | 14 | 12 |
| F251T-05LLC | 5 | 4.5 ~ 5.7 | (0.19) | 6,000 | 0.046 | 14 | 12 |

※ Figures in the table are typical values under rated operating condition.
The values in () may be changed in the process of final evaluation.

OUTLINE DIMENSIONS (Unit : mm)



AIR FLOW PERFORMANCE CURVES

