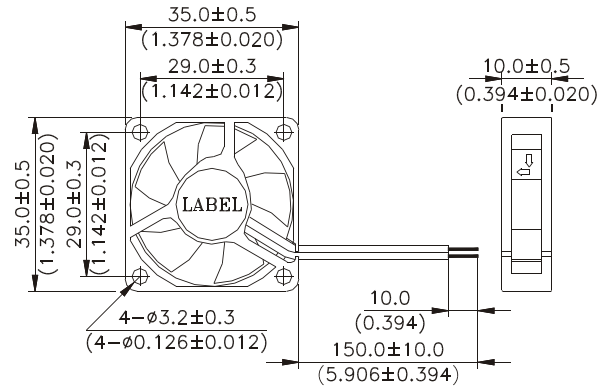


# AFB 35 x 35 x 10 MM SERIES

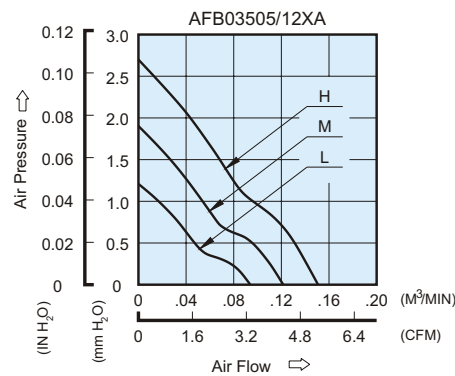
## DIMENSIONS DRAWING



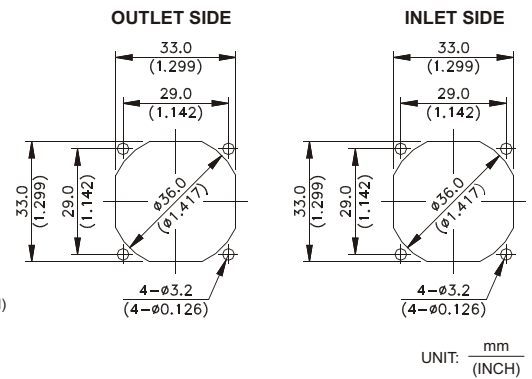
UNIT:  $\frac{\text{mm}}{\text{(INCH)}}$

- \* Bearing Type  
Ball Bearings
- \* Material  
Impeller & Frame : Plastic (UL 94V-0)
- \* Lead Wires :  
UL 1061 AWG #26 OR Equivalent  
Red Wire Positive (+)  
Black Wire Negative (-)
- \* Weight : 10g (0.35 oz)
- \* Rib Type Only

## P & Q CURVE (AT RATED VOLTAGE)



## MOUNTING PANEL CUTOUT



UNIT:  $\frac{\text{mm}}{\text{(INCH)}}$

MODEL		Rated Voltage	Operating Voltage Range	Rated Current	Rated Input Power	Speed	Maximum Air Flow		Maximum Air Pressure		Noise
PART NO.	FUNCTION	VDC	VDC	Amp	Watt	R.P.M.	m <sup>3</sup> /min	CFM	mmH <sub>2</sub> O	IN H <sub>2</sub> O	dB-A
AFB03505LA	-R00 / -F00	5	4.0 to 6.0	0.06	0.30	4500	0.095	3.36	1.21	0.048	15.0
AFB03505MA	-R00 / -F00	5	4.0 to 6.0	0.10	0.50	5800	0.127	4.50	1.90	0.075	18.0
AFB03512MA	-R00 / -F00	12	9.5 to 13.8	0.05	0.60						
AFB03505HA	-R00 / -F00	5	4.0 to 6.0	0.14	0.70	7000	0.156	5.50	2.70	0.106	22.0
AFB03512HA	-R00 / -F00	12	9.5 to 13.8	0.09	1.08						

\* Function type is optional.  
 \* The max. air flow and the speed are measured in free air ; max. air pressure is measured at zero air flow.  
 \* Noise is measured in anechoic chamber in free air, one meter from intake side.  
 \* All readings are typical values at rated voltage.  
 \* Specifications are subject to change without notice.