



BG1002 ($\varnothing 100 \times 25^L$)



EMINEBEA.COM

General Specifications

Allowable Ambient Temperature Range:

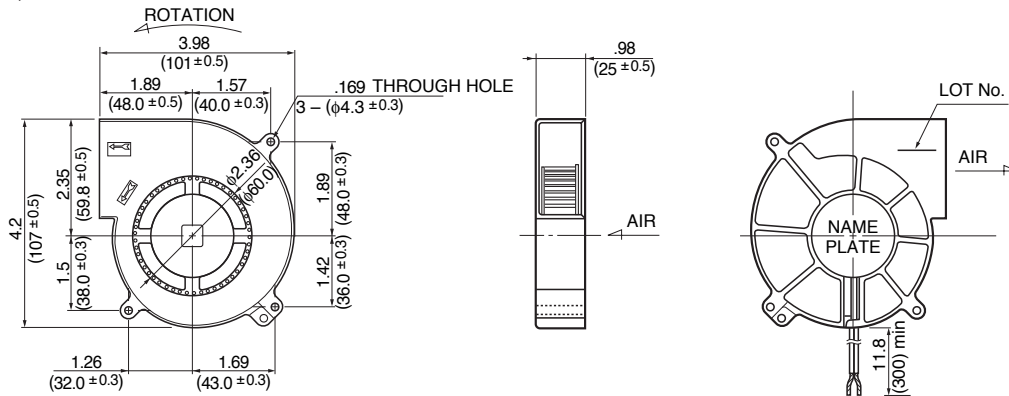
-10°C ~ +60°C (Operating)

-40°C ~ +60°C (Storage)

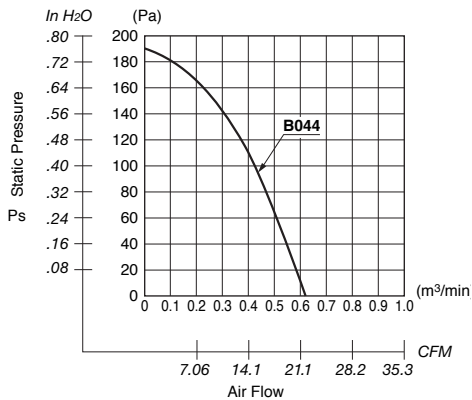
(non-condensing environment)

Outline

Units: $\frac{\text{inch}}{\text{(mm)}}$



Characteristic Curves



Material

- Casing : Plastic (Black) 94V-0
- Impeller : Plastic (Black) 94V-0
- Bearing : Ball Bearing
- Lead Wire : UL1007, AWG26, +Red, -Black

Specifications

MODEL	Rated	Operating	Current	Input	Speed	Max.	Max. Static		Noise		Mass	
	Product No.	Voltage (V)	Voltage (V)	(A) ^{*1}	(W) ^{*1}	(min ⁻¹) ^{*1}	CFM ^{*1}	(m ³ /min) ^{*1}	in H ₂ O	(Pa) ^{*1}	(dB) ^{*1}	(g)
BG1002-B044-000-	00	12	6 ~ 13.8	0.56	6.7	3300	21.5	0.61	.76	190	47.0	170

Rotation: Counterclockwise

*1: Average Values in Free Air