

TERMINALS
120 ± 0.02 WIDE
3.05 ± 0.05
0.20 ± 0.01 THICK
0.51 ± 0.03
300 ± 0.20 LONG
7.62 ± 0.51

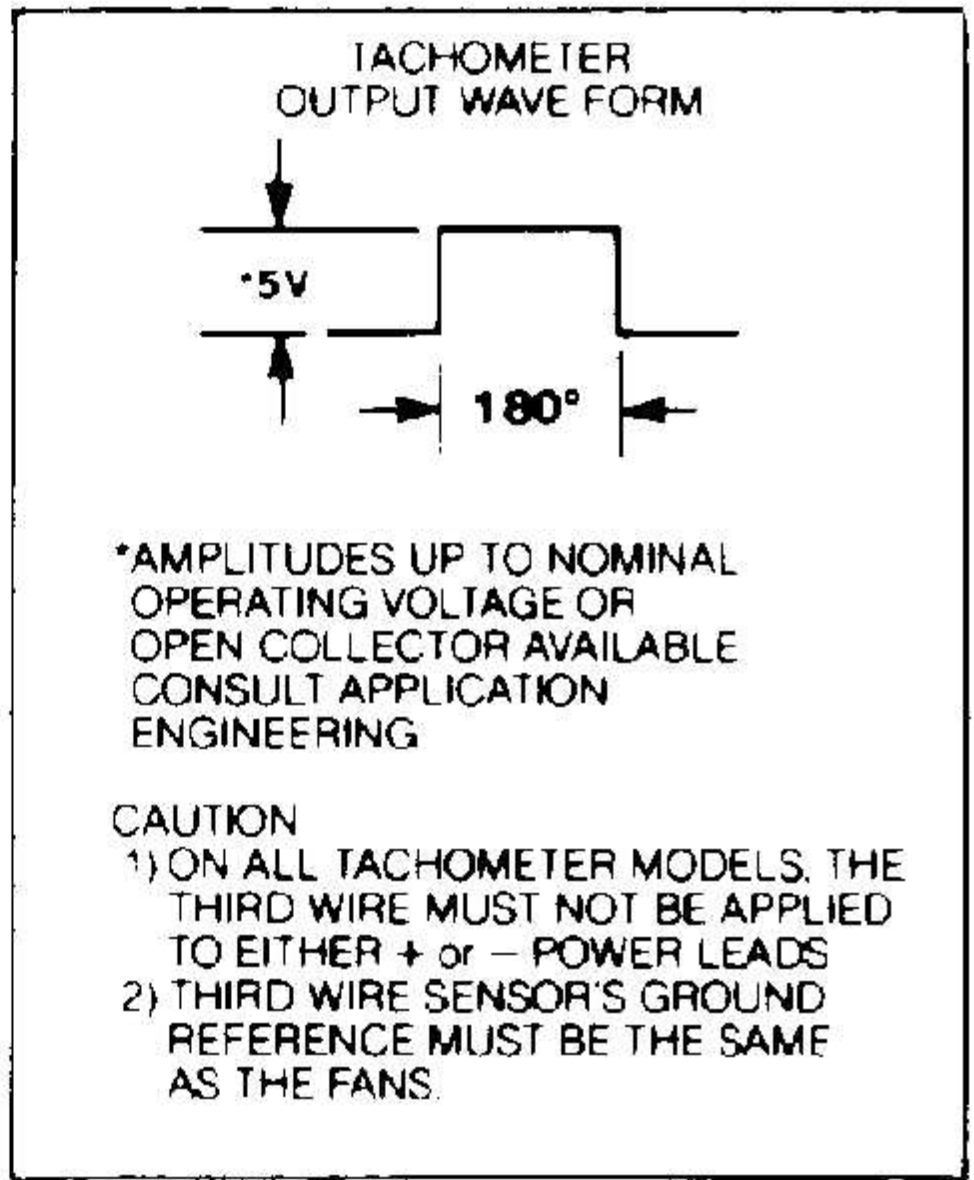
TACHOMETER OUTPUT WIRE (WHEN SPECIFIED)

RED WIRE +
BLACK WIRE -
12.00 ± 1.00
308.4 ± 25.4

LEADWIRES
22 AWG UL STYLE 1061

TACHOMETER OUTPUT WIRE (WHEN SPECIFIED) IS BLUE W/WHITE TRACER (SEE PAGE 60 FOR DETAILS)
LENGTH: 15.00 ± 1.0
308.4 ± 25.4

50 ± 0.9
12.7 ± 2.3



DIMENSIONS $\frac{\text{in}}{\text{mm}} \pm$
TOLERANCES xx = $\frac{.03}{.08}$
xxx = $\frac{.010}{.25}$
(UNLESS NOTED)