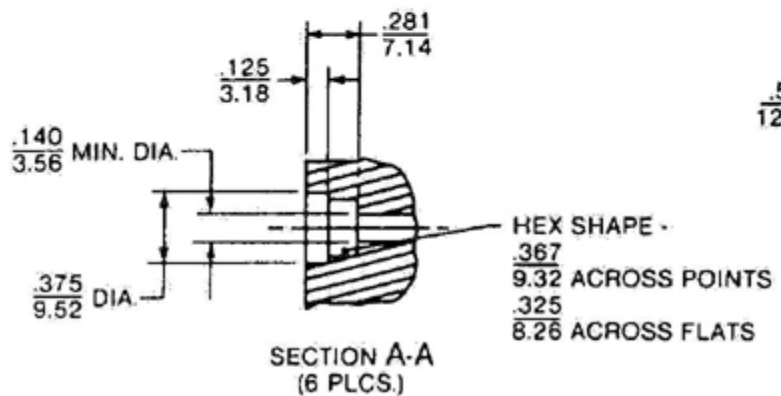
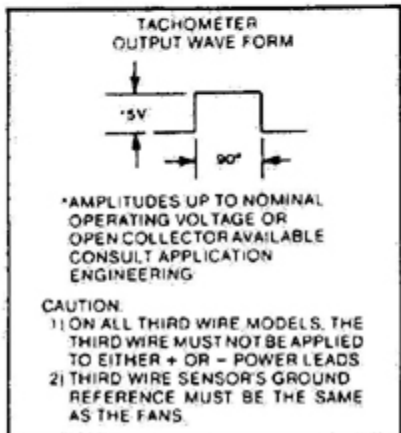
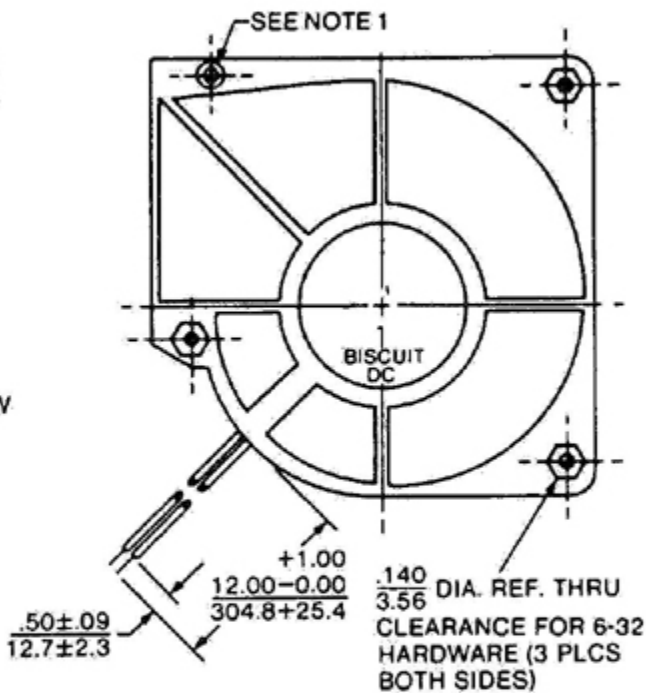
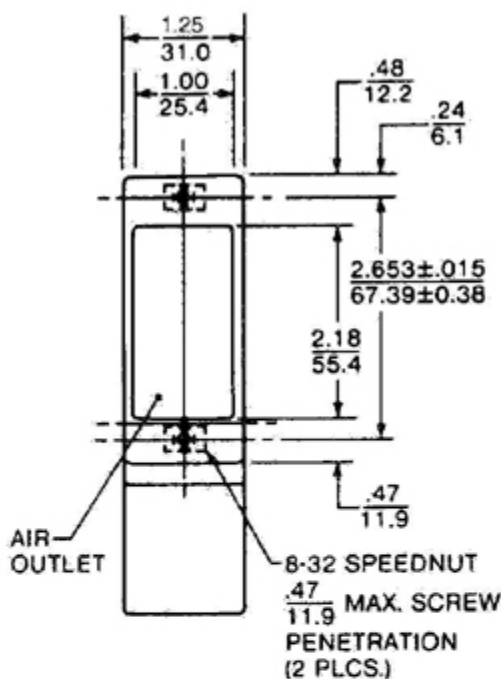
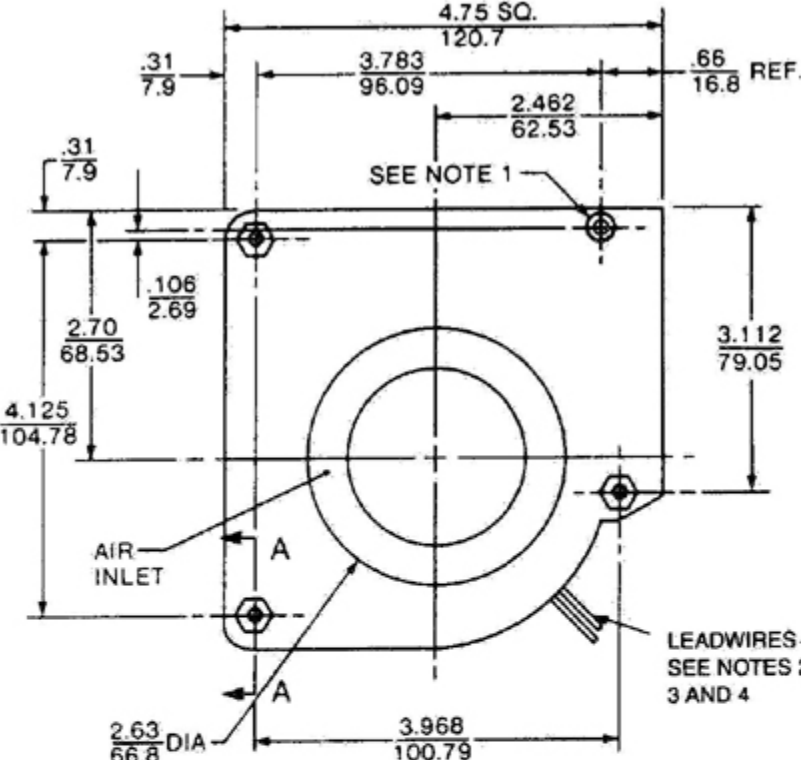


NOTES:

1. NOT INTENDED FOR USE AS MOUNTING HOLE
2. ALL LEADWIRES 22 AWG, U.L. STYLE 1061
3. POWER LEADS (-) BLACK (+) RED
4. NON-INSULATED TACHOMETER OUTPUT (WHEN SPECIFIED), ADDS ONE ADDITIONAL BLUE WITH WHITE TRACER LEAD (SAME LENGTH AS POWER LEADS). (SEE PAGE 60 FOR DETAILS.)



DIMENSIONS:	$\frac{\text{in}}{\text{mm}} \pm$
TOLERANCES:	.xx = .03 .8
ANGULAR ± 2°	.xxx = .010 .25
(UNLESS NOTED)	