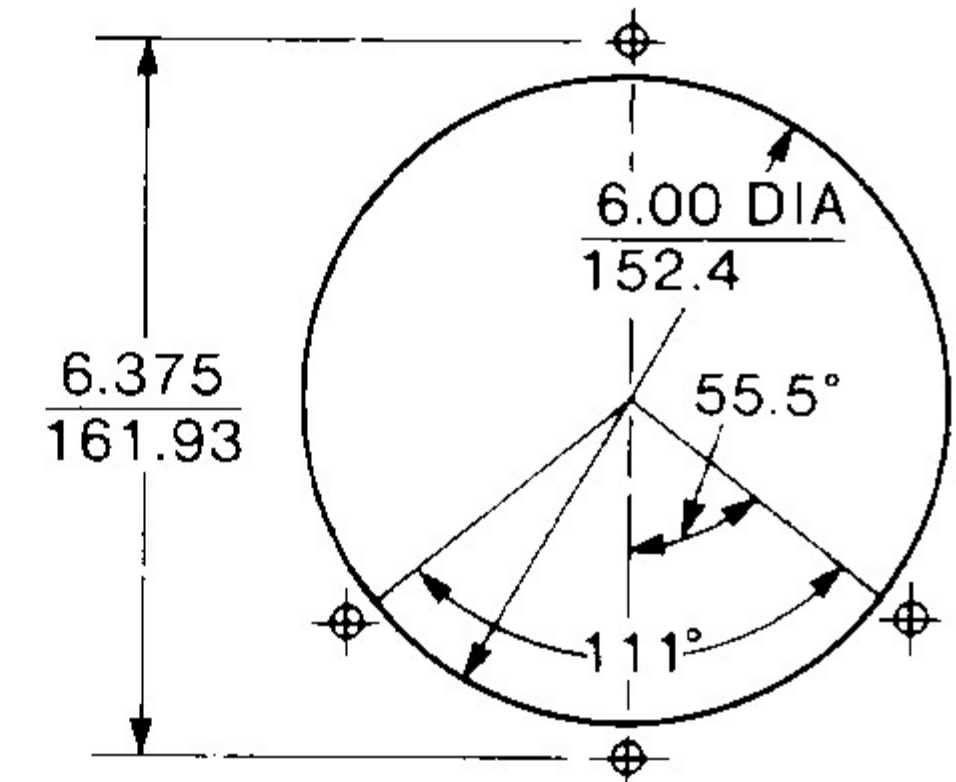
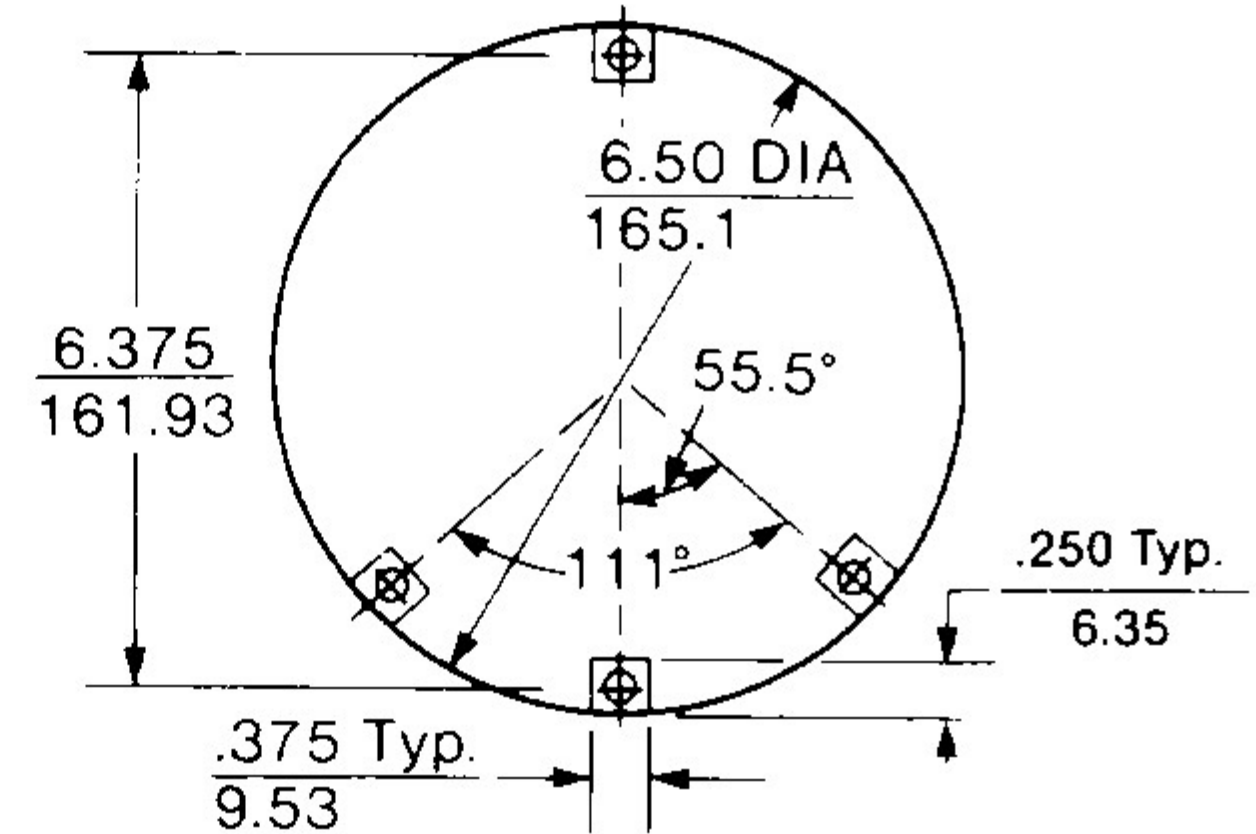


RECOMMENDED CUTOUTS

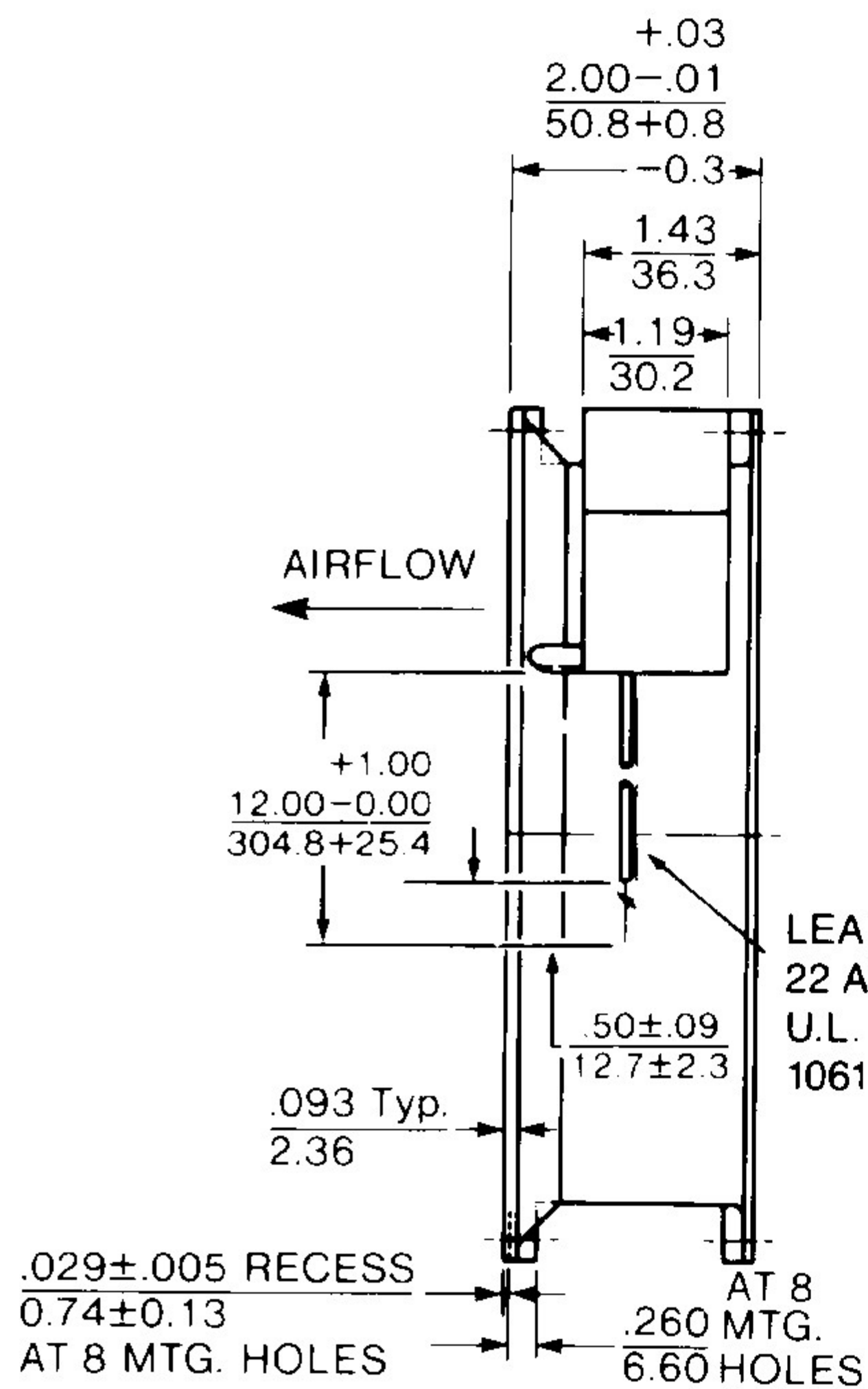
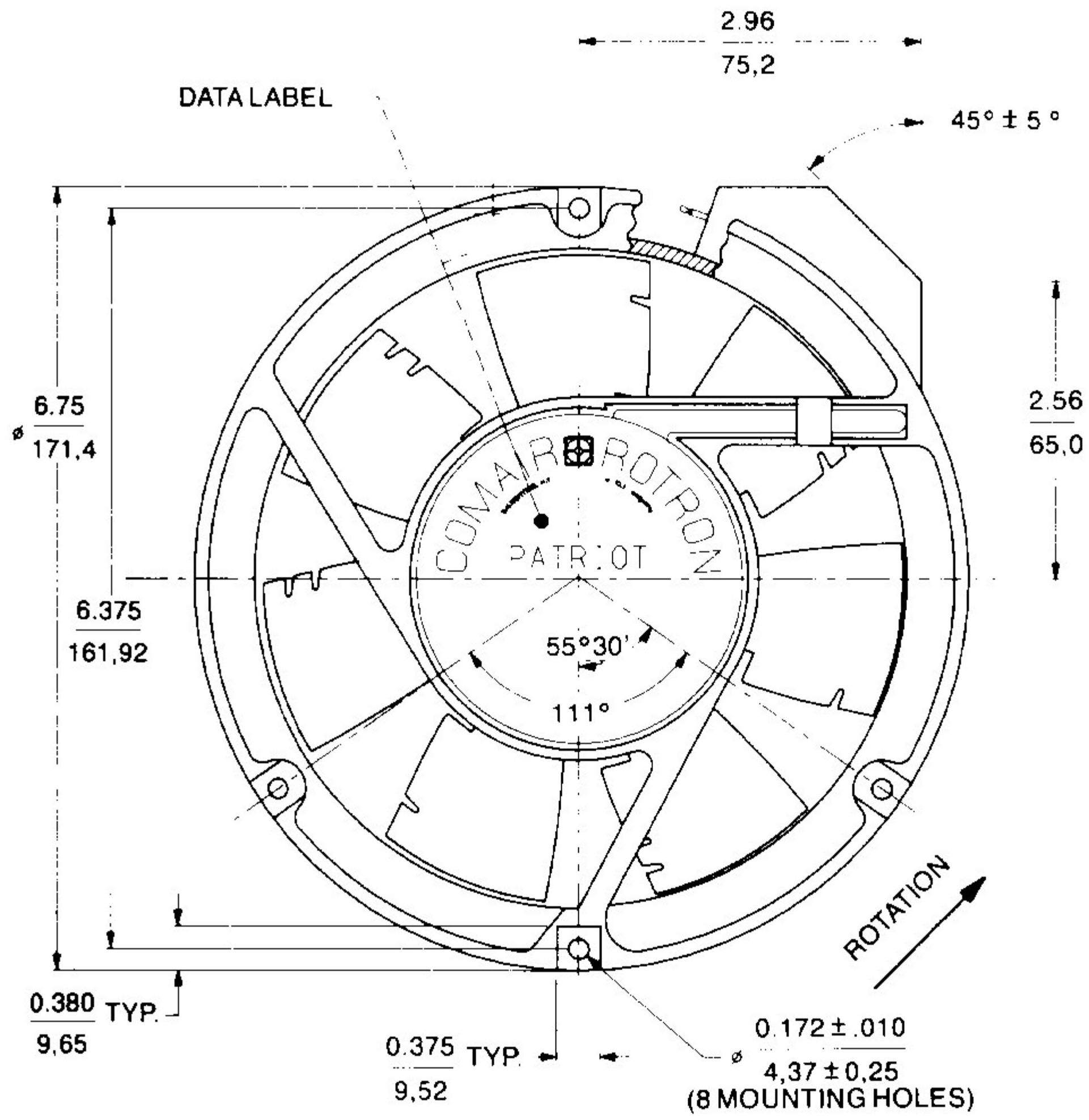


INLET (PROP) SIDE



LEADWIRES- EXHAUST (SPIDER) SIDE
 22 AWG.
 U.L. STYLE
 1061

DIMENSIONS: $\frac{\text{in}}{\text{mm}} \pm$
 TOLERANCES: .xx= .03
 .08
 .xxx=.010
 ANGULAR $\pm 5^\circ$.25
 (UNLESS NOTED)



Specifications subject to change without notice.