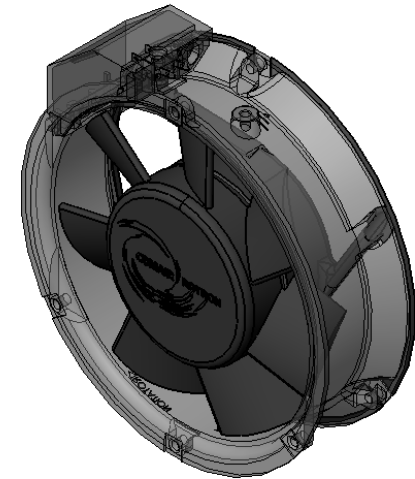
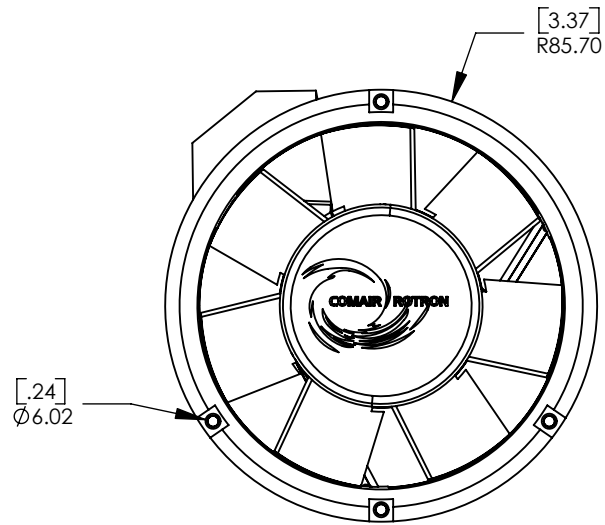
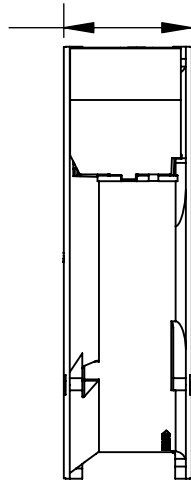


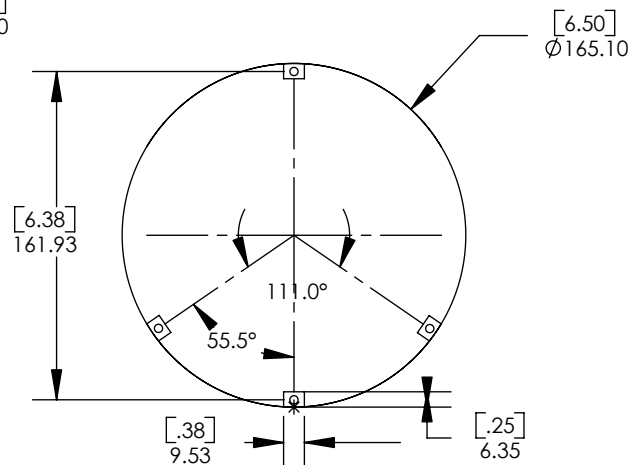
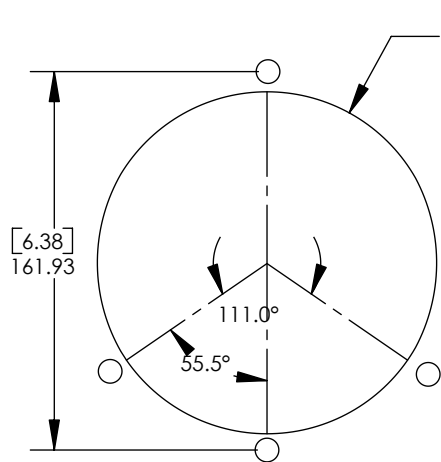
$[2.00^{+.03}_{-.01}]$
 $50.80^{+.80}_{-.30}$



RECOMMENDED CUTOUTS

INLET (PROP) SIDE

EXHAUST (SPIDER) SIDE



CONTACT INFO: WWW.COMAIRROTRON.COM		SALES@COMAIRROTRON.COM	
TOLERANCE UNLESS OTHERWISE SPECIFIED 2 PL. DEC. ± .03 [.8] 3 PL. DEC. ± .010 [.25] ANGULAR ± 30'	AMERICAN PROJECTION 	(619) 661 - 6688	3D MODEL FOUND AT..

PATRIOT DC