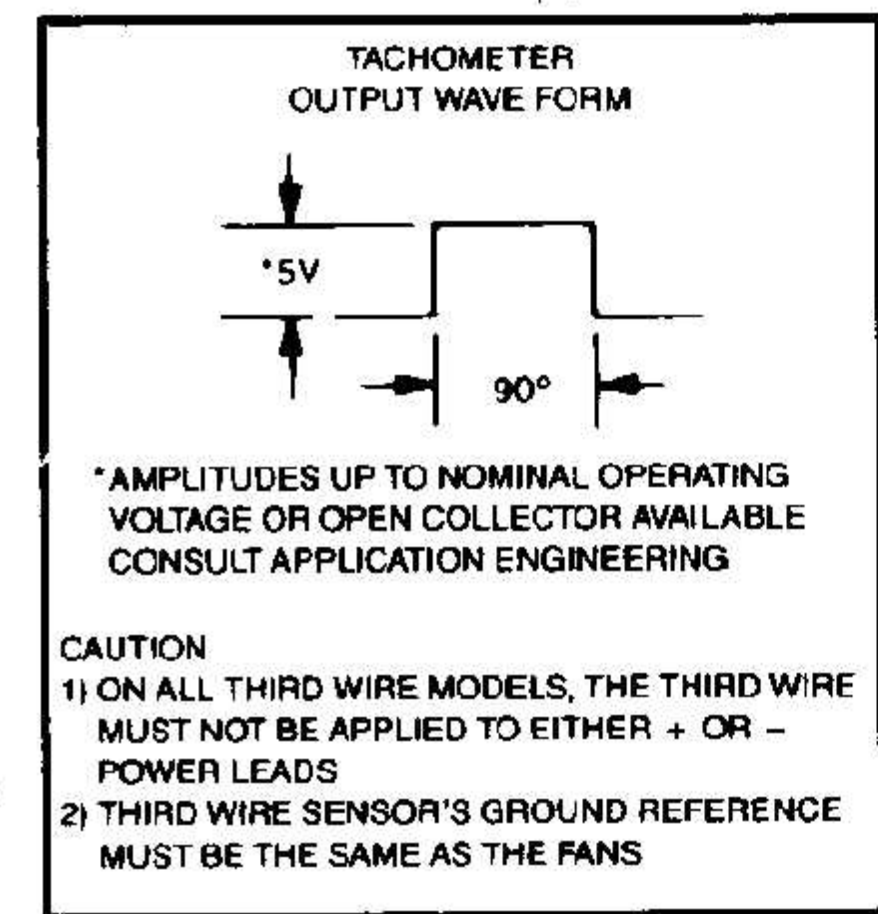
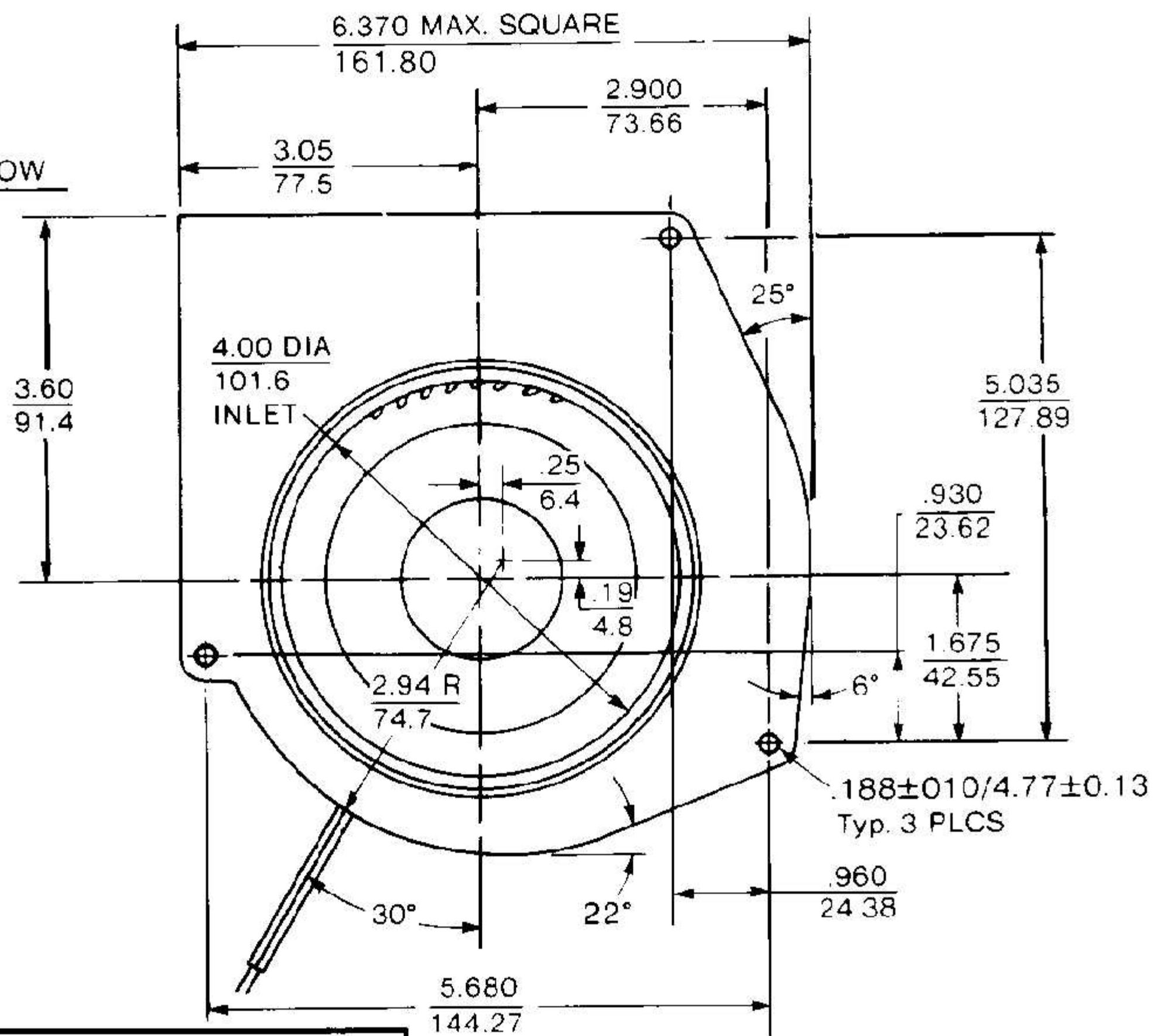


LEADWIRE 22 GA

- NOTES:
1. ALL LEAD WIRES 22 AWG. U.L. STYLE 1061
 2. POWER LEADS (-) BLACK (+) RED
 3. NON-ISOLATED TACHOMETER OUTPUT (WHEN SPECIFIED), ADDS ONE ADDITIONAL BLUE WITH WHITE TRACER LEAD (SAME LENGTH AS POWER LEADS). (SEE PAGE 60 FOR DETAILS.)

* INLET RIM OPTIONAL

AIRFLOW ←



DIMENSIONS: in ±
mm

TOLERANCES: .xx= .03
 .08
 .xxx=.010
ANGULAR ±2° .25
(UNLESS NOTED)

Specifications subject to change without notice.