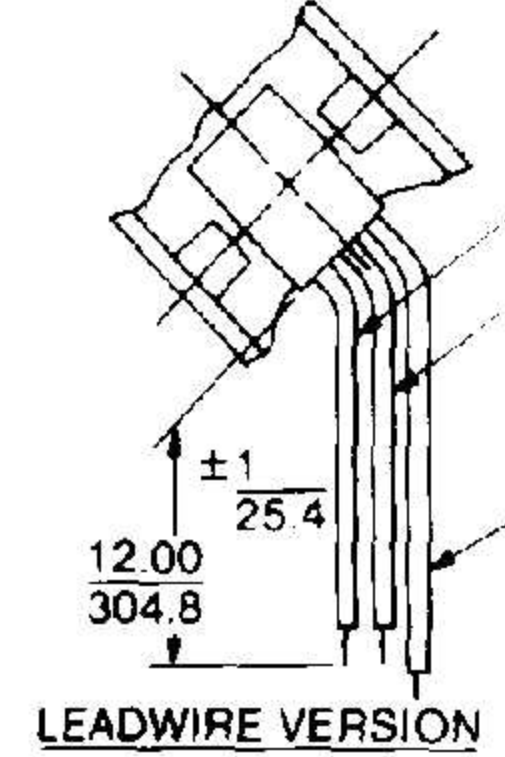
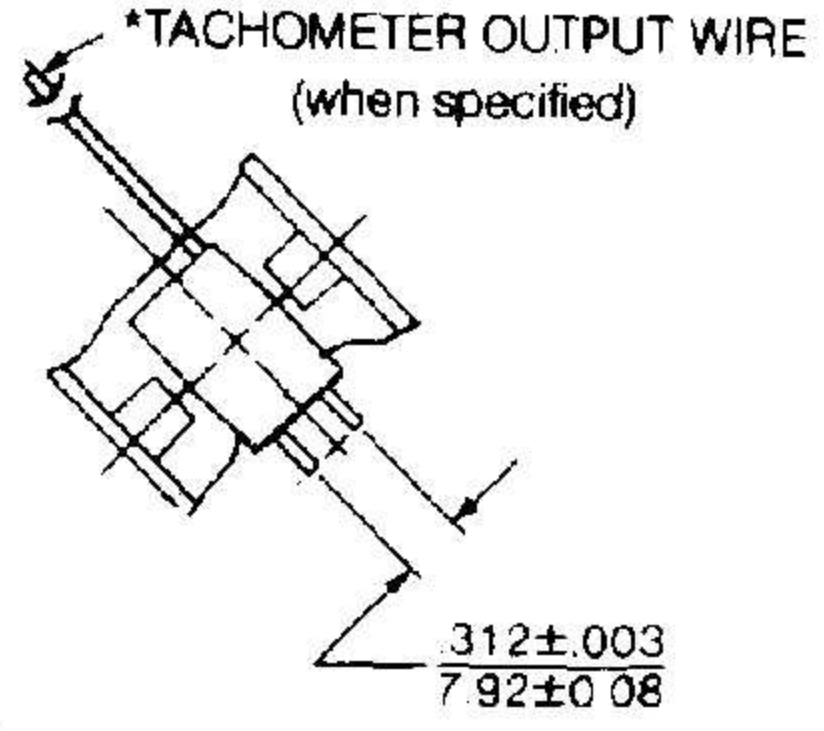


**TERMINAL VERSION**

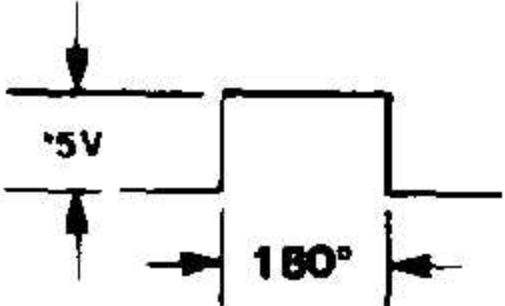
TERMINALS:  
 .120 ±.002/3.05 ±0.05 WIDE  
 .020 ±.001/0.51 ±0.03 THICK  
 300 ±.020/7.62 ±0.51 LONG  
 (WILL FIT AMP SERIES 110 TERMINALS OR EQUIVALENT)



RED WIRE +  
 BLACK WIRE -  
 LEADWIRE - 22 AWG, UL STYLE 1061  
 STRIPPED  $\frac{.50 \pm .05}{12.7 \pm 1.27}$

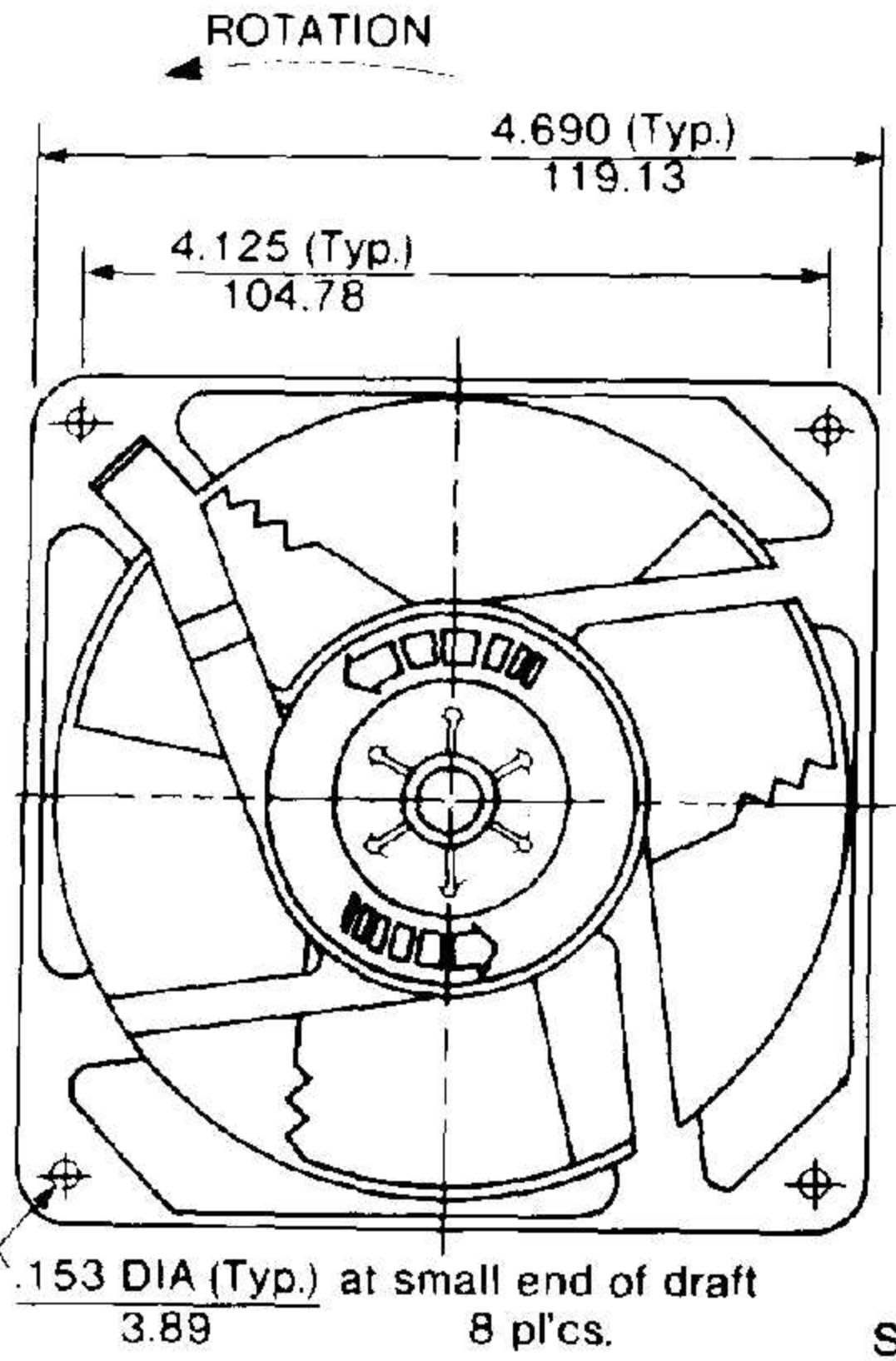
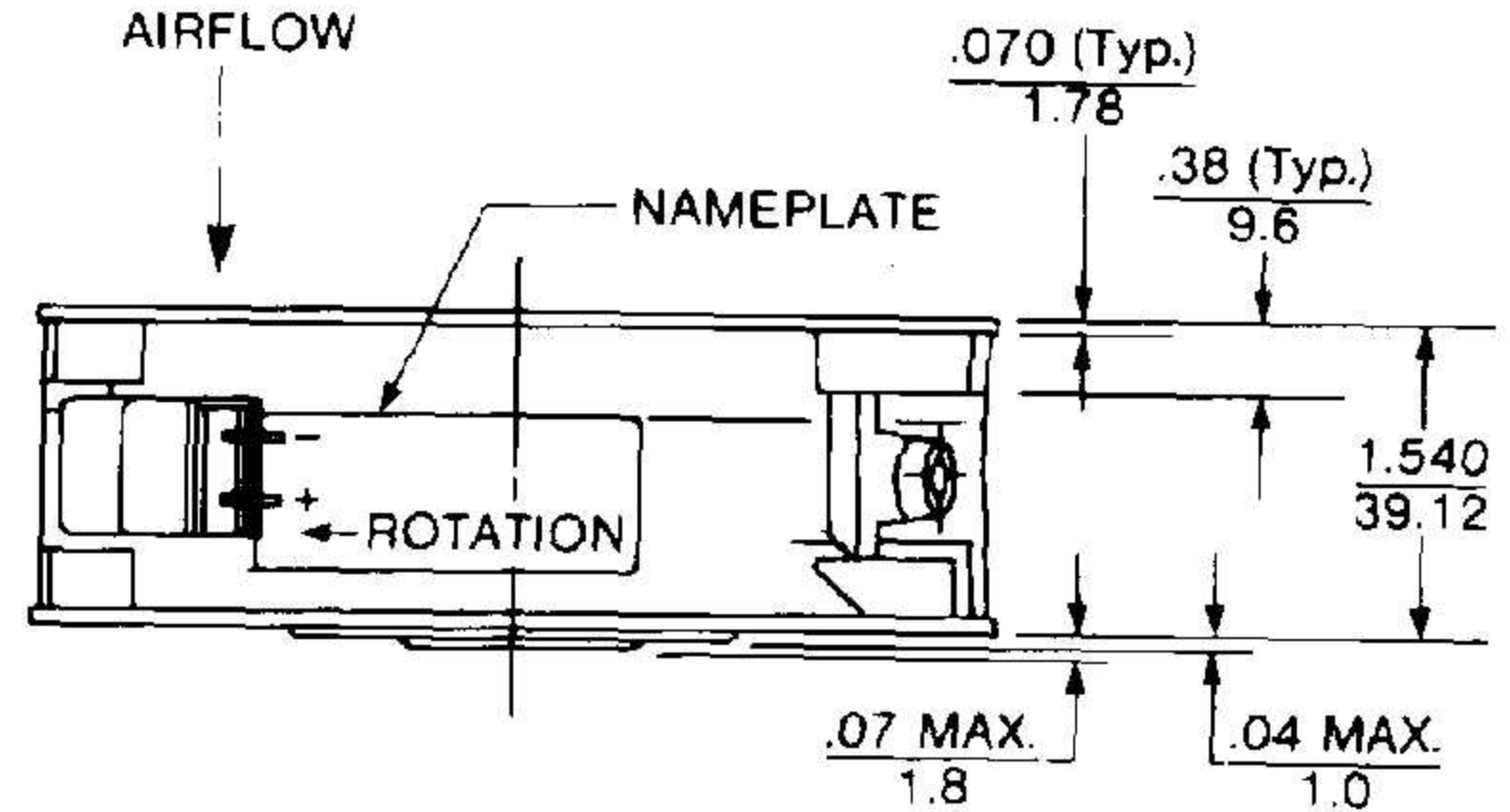
\*TACHOMETER OUTPUT WIRE (when specified)  
 BLUE W/WHITE TRACER (SEE PAGE 60 FOR DETAILS)  
 22 AWG UL STYLE 1061  
 LENGTH:  $\frac{15.00 \pm 1}{381.0 \pm 25.4}$

**TACHOMETER OUTPUT WAVE FORM**

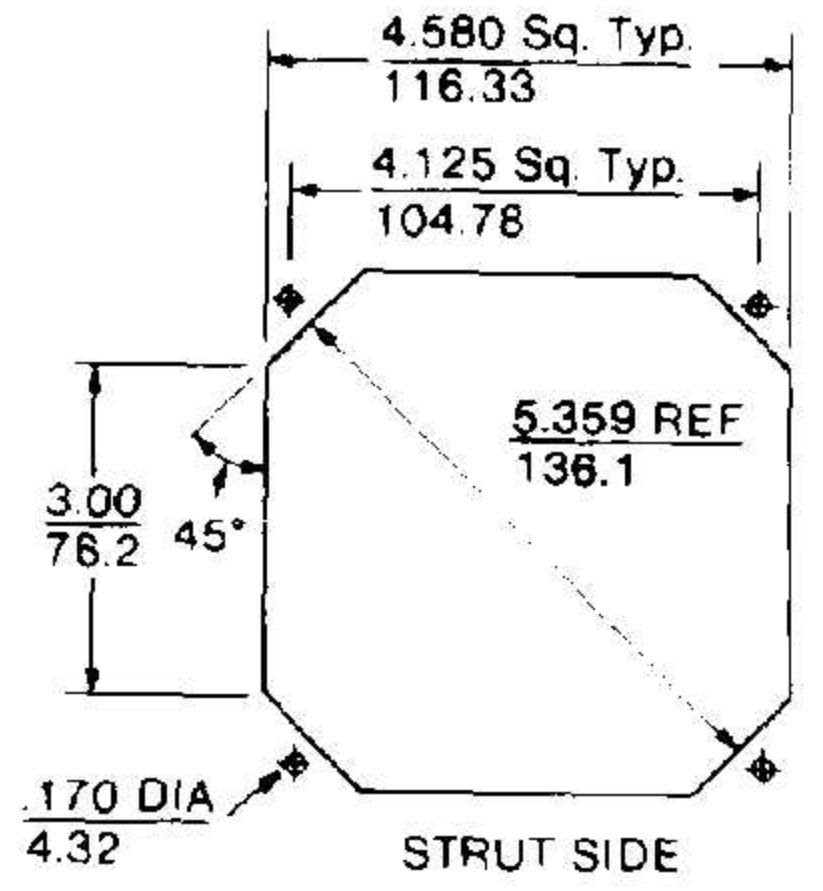
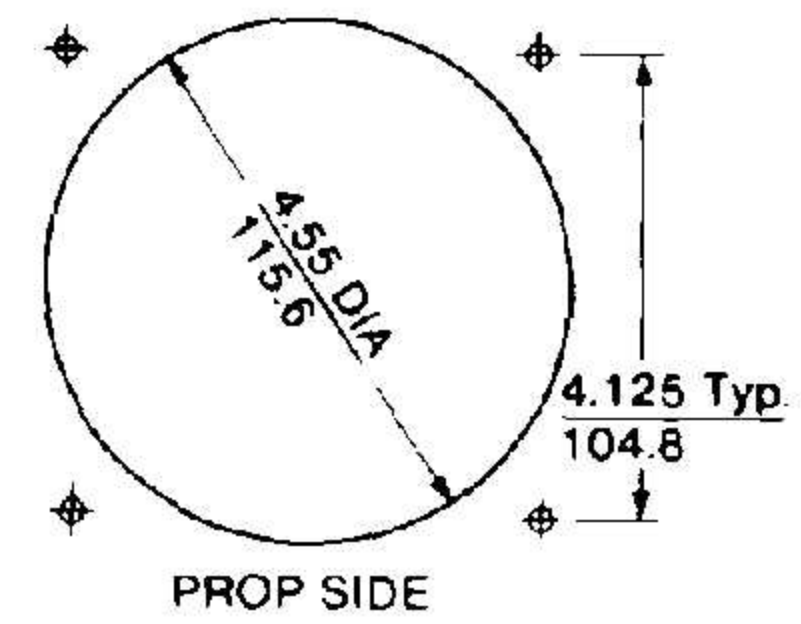


\*AMPLITUDES UP TO NOMINAL OPERATING VOLTAGE OR OPEN COLLECTOR AVAILABLE CONSULT APPLICATION ENGINEERING

CAUTION:  
 1) ON ALL TACHOMETER MODELS THE THIRD WIRE MUST NOT BE APPLIED TO EITHER + OR - POWER LEADS  
 2) THIRD WIRE SENSOR'S GROUND REFERENCE MUST BE THE SAME AS THE FANS



**RECOMMENDED CUT OUT**



DIMENSIONS:  $\frac{\text{in}}{\text{mm}} \pm$   
 TOLERANCES: .xx =  $\frac{.03}{0.8}$   
 .xxx =  $\frac{.010}{.25}$   
 ANGULAR ±2°  
 (UNLESS NOTED)

Specifications subject to change without notice.