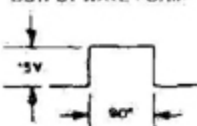


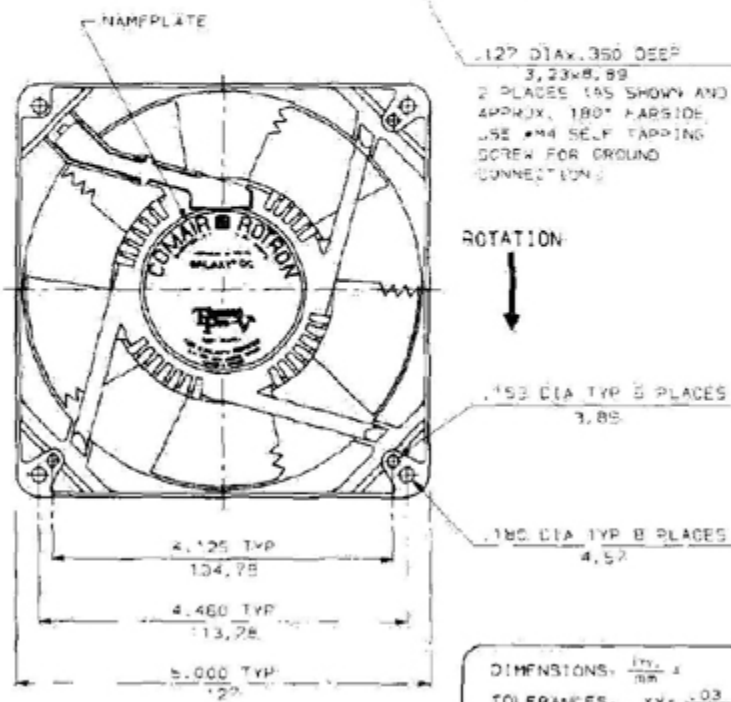
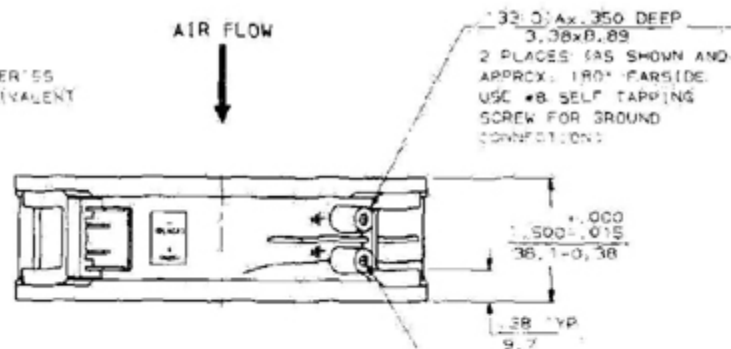
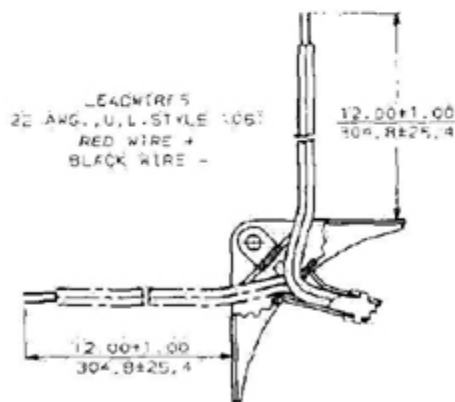
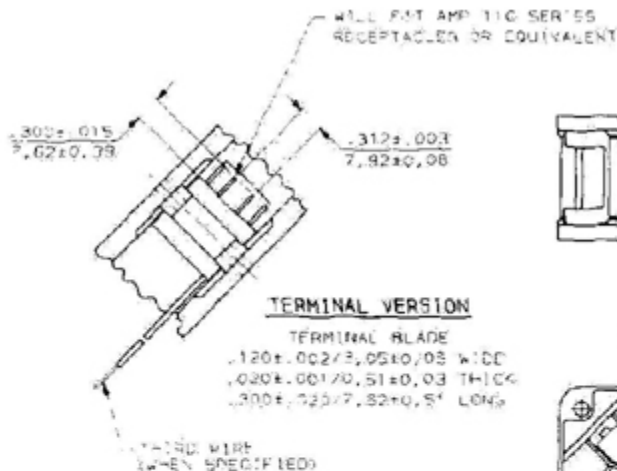
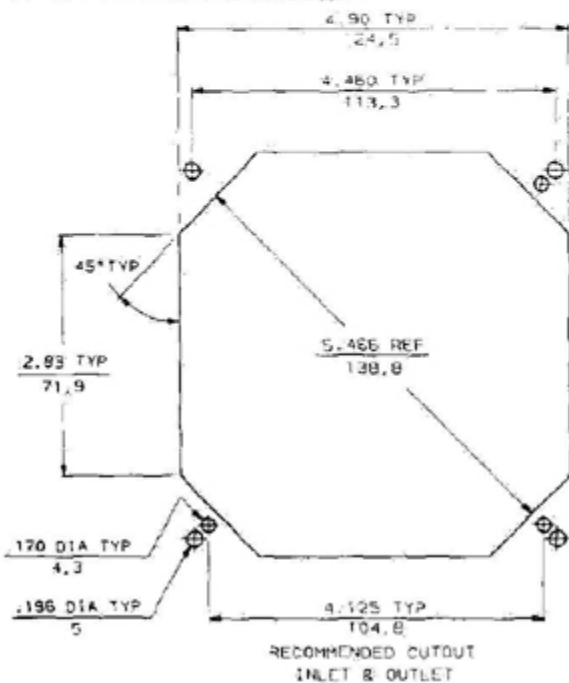
TACHOMETER
OUTPUT WAVE FORM



*AMPLITUDES UP TO NOMINAL
OPERATING VOLTAGE OR
OPEN COLLECTOR AVAILABLE
CONSULT APPLICATION
ENGINEERING.

CAUTION

- 1) ON ALL THIRD WIRE MODELS, THE THIRD WIRE MUST NOT BE APPLIED TO EITHER + OR - POWER LEADS
- 2) THIRD WIRE SENSOR'S GROUND REFERENCE MUST BE THE SAME AS THE FAN'S



DIMENSIONS	$\frac{Inch}{mm}$
TOLERANCES	.XX ± .03 0.8
	.XXX ± .010 0.25
ANGULAR ± 2° (UNLESS NOTED)	

Specifications subject to change without notice.