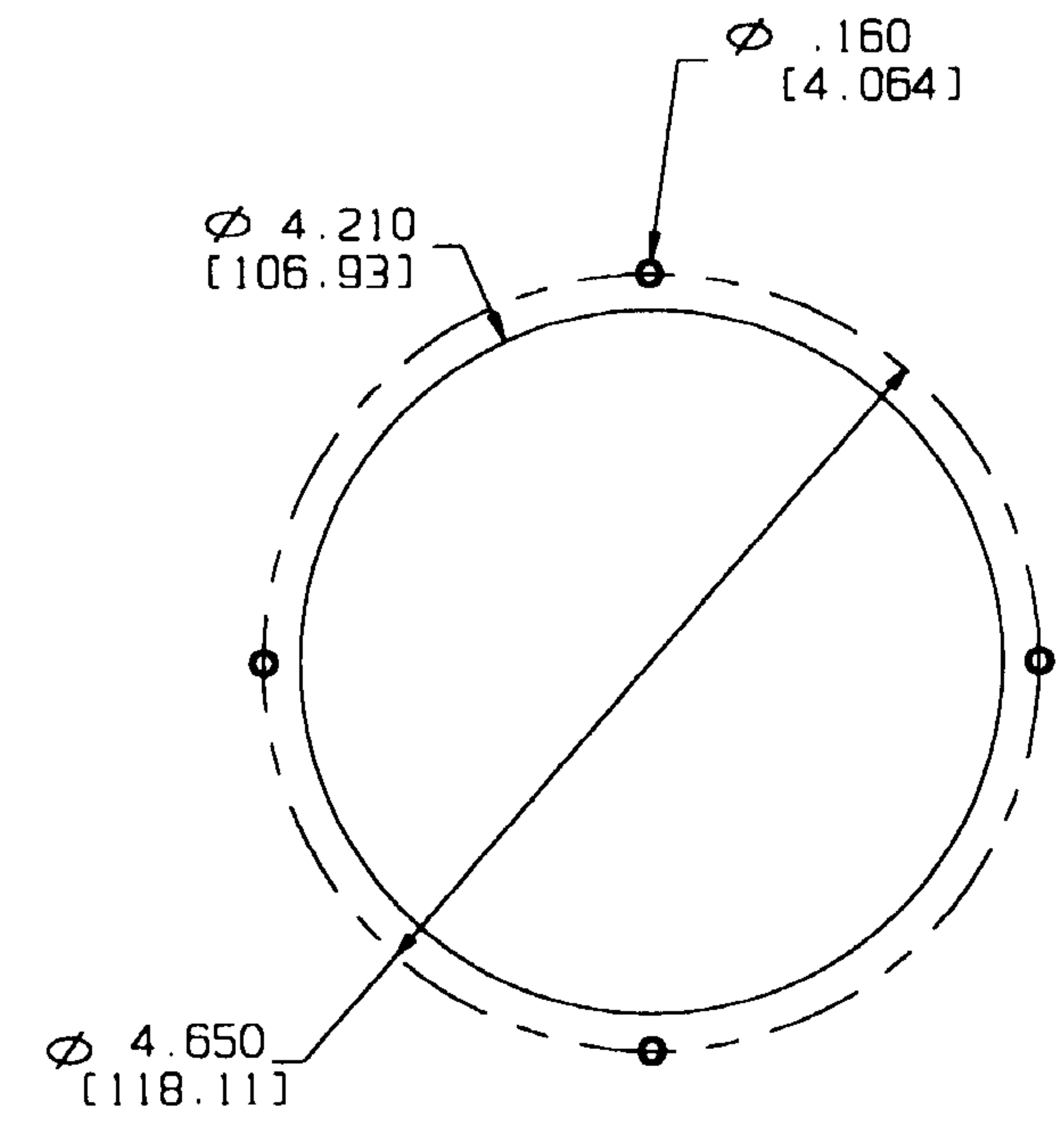
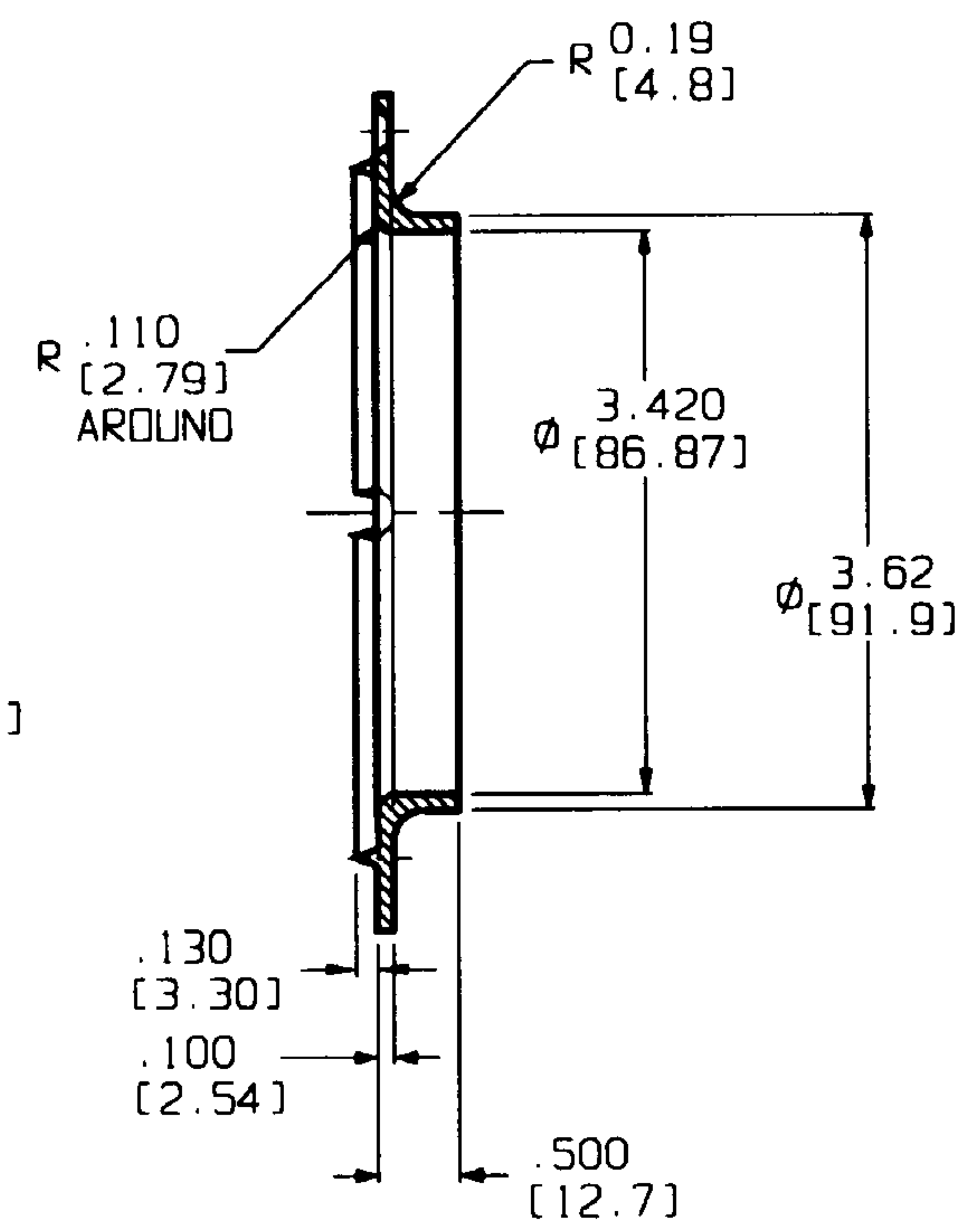


INLET RING  
(OPTIONAL)



RECOMENDED CUTOUT

DIMENSIONS:  $\frac{in}{mm} \pm$   
 TOLERANCES: .XX =  $\frac{.03}{0.8}$   
 .XXX =  $\frac{.010}{.25}$   
 ANGULAR  $\pm 5^\circ$   
 (UNLESS NOTED)