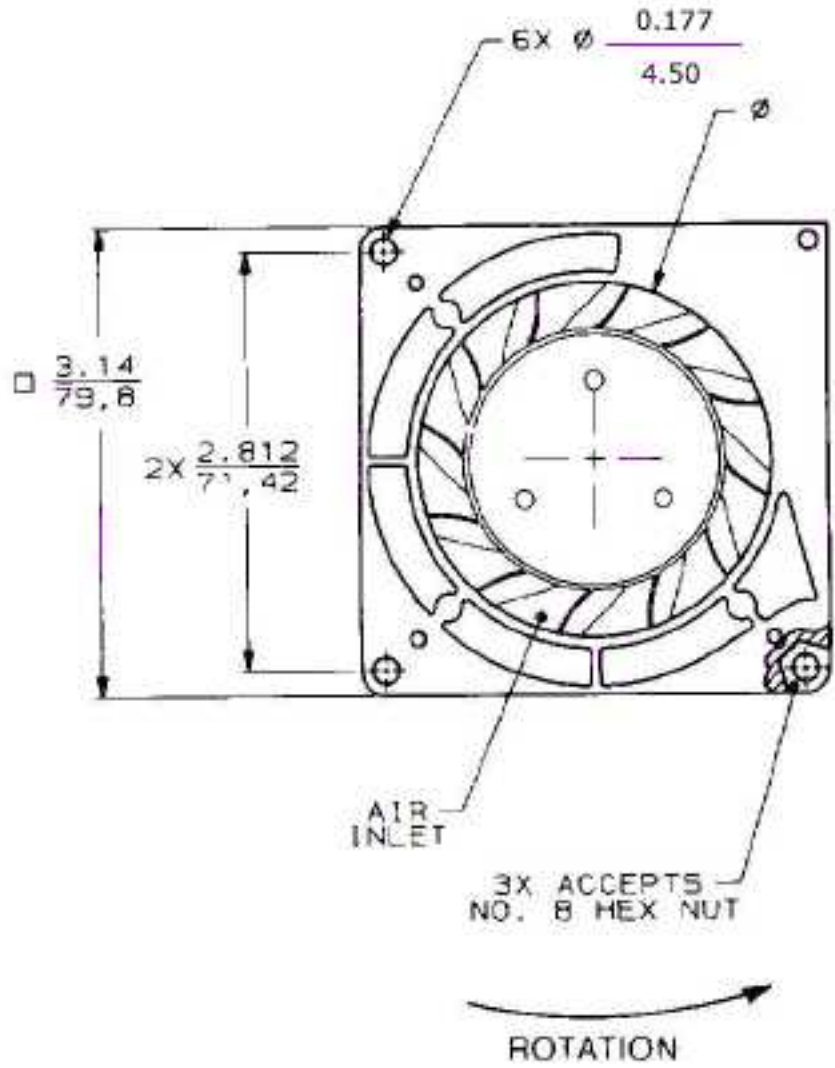
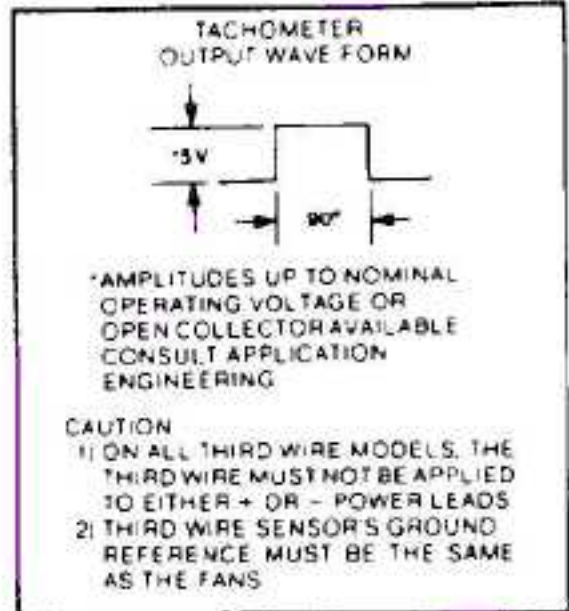


DIMENSIONS $\frac{\text{in}}{\text{mm}} \pm$
 TOLERANCES .xx= $\frac{.03}{0.8}$
 .xxx= $\frac{.010}{.25}$
 ANGULAR $\pm 2^\circ$ $\frac{.25}{.25}$
 (UNLESS NOTED)

Specifications subject to change without notice.



AIRFLOW

