

# D1G133 Series Centrifugal Blower

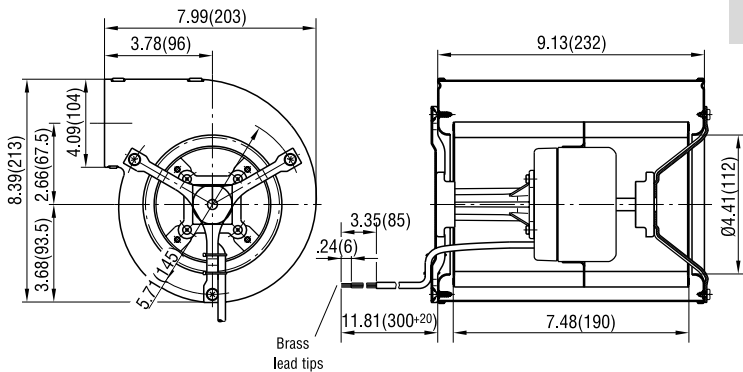
Ø 133mm



- DC dual inlet, forward curved centrifugal blower. Reverse polarity and locked-rotor protection.
- Housing and impeller made of galvanised sheet-steel. Forward curved impellers are directly press-fitted onto the rotor of the external-rotor motor.
- Direction of rotation is CW as seen on rotor.
- Includes support bearing. An Integrated external-rotor motor with rotating shaft on rotor side is anti-vibration mounted via a third bearing and fixed on both sides of the scroll.
- UL, CSA, VDE approvals on most models, please contact application engineering.

| Part Number    | Curve | CFM @ 0 | VDC | Volt. Range | Power (W) | dBA | Max Amb. Temp C | Speed (RPM) | Wgt. (lbs) |
|----------------|-------|---------|-----|-------------|-----------|-----|-----------------|-------------|------------|
| D1G133-DC13-52 | 1     | 600.4   | 24  | 16 to 28    | 118       | 64  | 60              | 1580        | 7.50       |
| D1G133-DC17-52 | 1     | 600.4   | 48  | 36 to 57    | 118       | 64  | 60              | 1580        | 7.50       |

|   | n [RPM] | P <sub>1</sub> [kW] | η <sub>HL</sub> [%] | Lp <sub>A</sub> [dBA] |   | n [RPM] | P <sub>1</sub> [kW] | η <sub>HL</sub> [%] | Lp <sub>A</sub> [dBA] |
|---|---------|---------------------|---------------------|-----------------------|---|---------|---------------------|---------------------|-----------------------|
| 1 | ① 1700  | 145                 | —                   | 65                    | 1 | ⑤ 1400  | 78                  | —                   | 60                    |
| 1 | ② 1930  | 133                 | 38                  | 62                    | 1 | ⑥ 1580  | 70                  | 38                  | 56                    |
| 1 | ③ 2290  | 122                 | 41                  | 59                    | 1 | ⑦ 1760  | 56                  | 41                  | 53                    |
| 1 | ④ 2700  | 99                  | 32                  | 61                    | 1 | ⑧ 2000  | 44                  | 32                  | 53                    |
| 1 | ① 1580  | 118                 | —                   | 64                    |   |         |                     |                     |                       |
| 1 | ② 1790  | 107                 | 38                  | 61                    |   |         |                     |                     |                       |
| 1 | ③ 2100  | 95                  | 41                  | 57                    |   |         |                     |                     |                       |
| 1 | ④ 2410  | 73                  | 32                  | 58                    |   |         |                     |                     |                       |



Curve

