

W1G180 Series

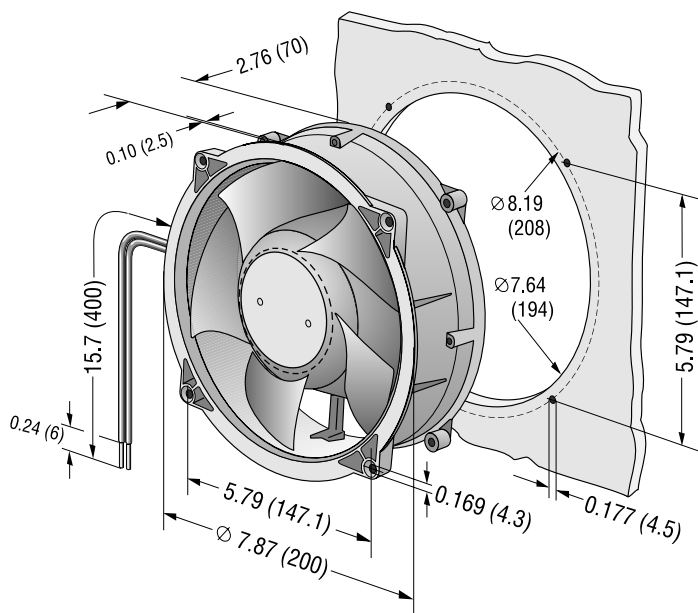
Tubeaxial

Ø 200x70mm



- DC fans with electronically commutated external rotor motor. Fully integrated commutation electronics.
- With electronic protection against reverse polarity and locked-rotor.
- Mounting from either face using four 4.3 mm holes.
- Die-cast aluminum housing. Impeller of plastic PA6.6, black.
- Air exhaust over struts. Rotational direction CCW looking at rotor.
- Connection leads: red = +; blue = -
- UL, CSA, VDE approvals on most models, please contact application engineering.

Part Number	Curve	CFM @ 0	VDC	Volt. Range	Power (W)	dBA	Max. Amb. Temp. C	Bearing Type	Features	Wgt. (lbs)
W1G180-AB31-01	1	529.7	24	16 to 28	93	68	60	Ball	Leads	3.97
W1G180-AB47-01	1	544.4	48	36 to 57	100	69	60	Ball	Leads	3.97



	N [RPM]	P _i [W]	η _i [%]	LD _A [dBA]
1 ①	5180	133	-	71
1 ②	4970	141	70	70
1 ③	4760	146	67	68
1 ④	5010	140	55	69
1 ①	4600	100	-	69
1 ②	4500	106	70	68
1 ③	4340	112	67	66
1 ④	4550	105	55	67
1 ⑤	3920	60	-	66
1 ⑥	3790	64	70	65
1 ⑦	3660	68	67	63
1 ⑧	3790	63	55	63

Curve

