

Ultra small size high selectivity type ceramic filter for communication use.

FEATURES

- Ultra small size
- 6.5 mm profile
- Bandwidths from 4KHz to 30KHz available
- RoHS Compliant (Note 7 exemption)
- 4 elements

OPERATING CONDITIONS/ELECTRICAL CHARACTERISTICS

| PART NUMBER | CENTER FREQUENCY (KHz) | INSERTION LOSS (dB) MAX. | PASS BAND RIPPLE (dB) MAX. | 6 dB BANDWIDTH (KHz) MIN. | 40 dB BANDWIDTH (dB) MAX. | STOP BAND ATT. ±100KHz (dB) MIN. | INPUT / OUTPUT IMPEDANCE (Ω) |
|-------------|------------------------|--------------------------|----------------------------|---------------------------|---------------------------|----------------------------------|------------------------------|
| LTM455BU | 455 ±2.0 | 4 | 2 | ±15 | ±30 | 27 | 1500 |
| LTM455CU | 455 ±2.0 | 4 | 2 | ±12.5 | ±24 | 27 | 1500 |
| LTM455DU | 455 ±1.5 | 4 | 2 | ±10 | ±20 | 27 | 1500 |
| LTM455EU | 455 ±1.5 | 6 | 2 | ±7.5 | ±15 | 27 | 1500 |
| LTM455FU | 455 ±1.5 | 6 | 2 | ±6 | ±12.5 | 27 | 2000 |
| LTM455GU | 455 ±1.0 | 6 | 2 | ±4.5 | ±10 | 25 | 2000 |
| LTM455HU | 455 ±1.0 | 6 | 2 | ±3 | ±9 | 25 | 2000 |
| LTM455IU | 455 ±1.0 | 6 | 2 | ±2 | ±7.5 | 25 | 2000 |
| LTM455HTU | 455 ±1.0 | 6 | 2 | ±3 | ±9 | 35 | 2000 |
| LTM455ITU | 455 ±1.0 | 6 | 2 | ±2 | ±7.5 | 35 | 2000 |

PACKAGE DIMENSIONS (mm)

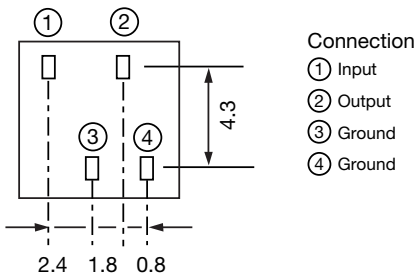
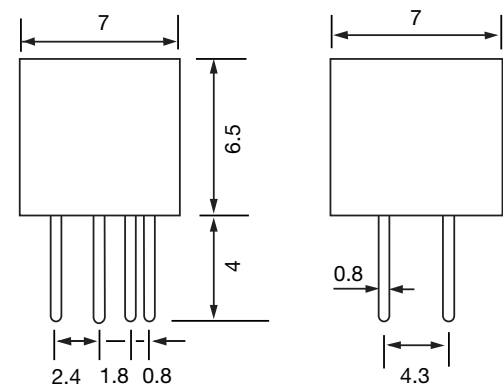


Figure 1) LTM455U – Front, Side and Bottom views

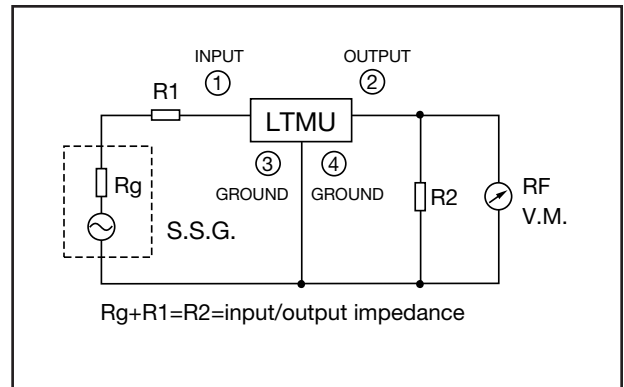


Figure 2) LTM455U – Measuring Circuit

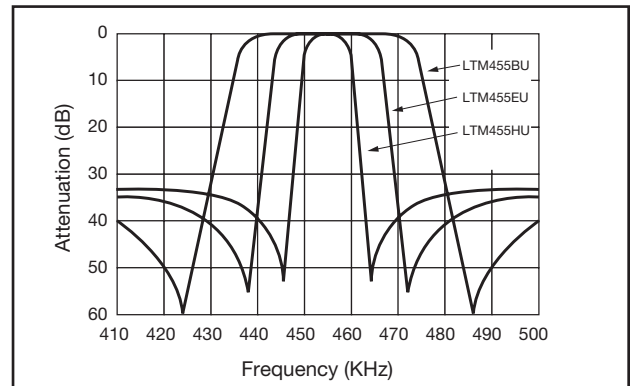


Figure 3) LTM455U – Characteristics

Note: To avoid potential problems, connect the output to an IF amplifier through a DC cut capacitor.
Avoid applying a direct current to output end of the ceramic filters (between ③ and ①②).