

Features:

- 3-Pole IF Filter Performance
- Low Profile Seam Weld Package

Description and Applications:

Surface mount 5x7mm IF filter for use in analog wireless telecommunications equipment.

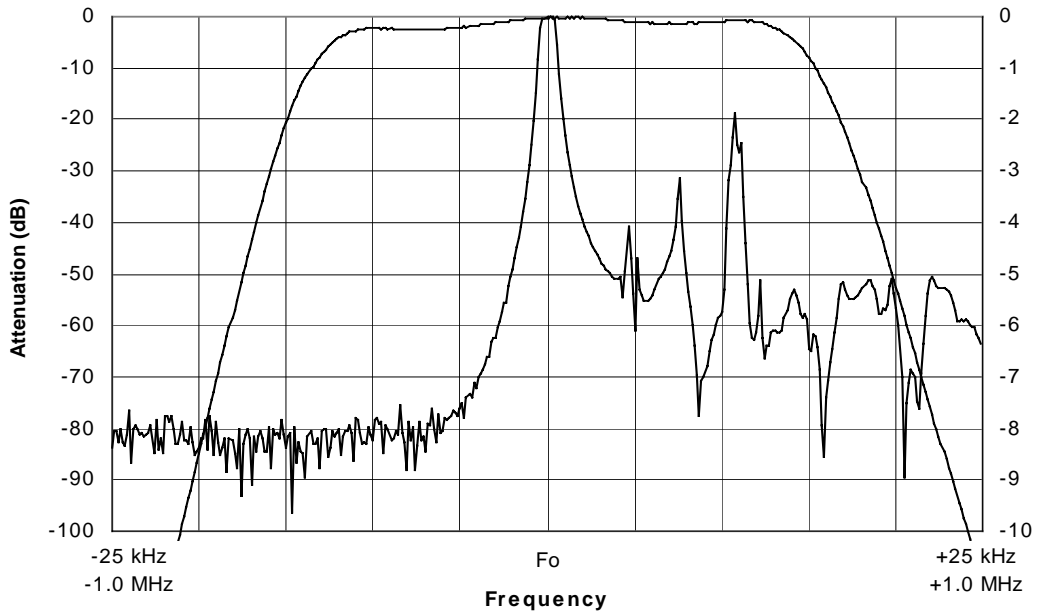


Electrical Specifications:

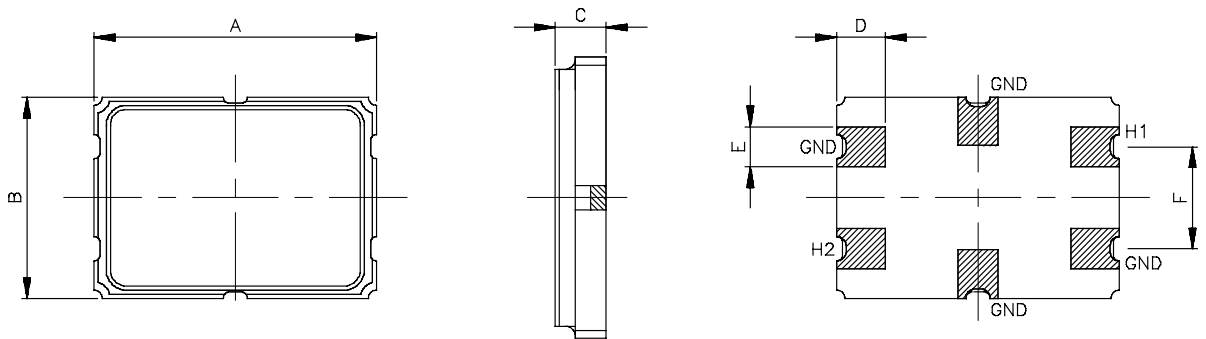
ATFN6036A	Specification
Center Frequency Fo	45.0 Mhz
Insertion Loss	3.0 dB max.
Ripple (± 14 KHz)	1.0 dB max.
3 dB Passband	± 14 KHz
Stopband (± 60 KHz)	25 dB min
Ultimate Attenuation @ Fo-910 KHz	70dB min
Spurious	15 dB min
Terminating Impedance	1200 Ω // 1.5pF
Operating Temperature	-30°C ~ +80°C

Crystal Filter

Filter Response:



Mechanical Dimensions (mm):



5x7	A	B	C	D	E	F
mm	7.00	5.00	1.27	1.21	0.99	2.54
	±0.18	±0.18	±0.20	±0.13	±0.13	±0.13