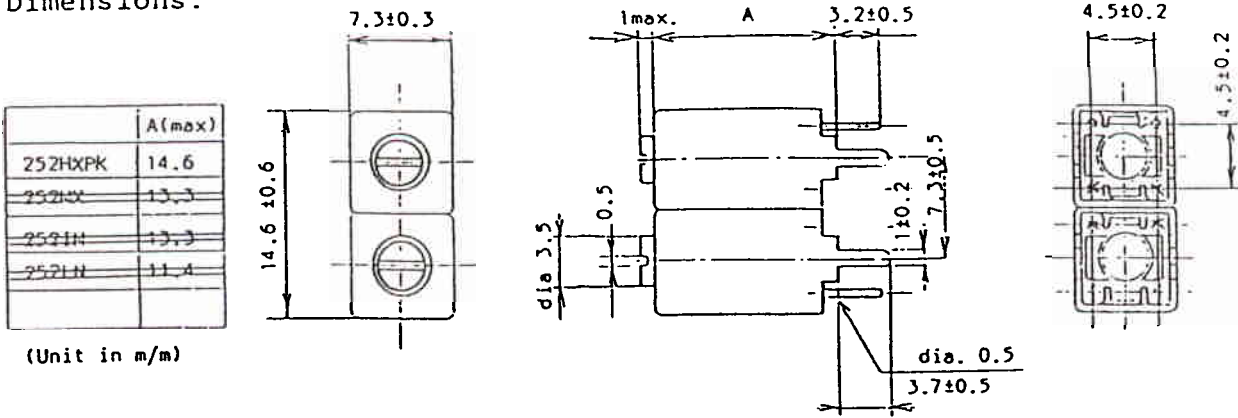


TK3313

Customer & part number:
 Toko sample number : 252HXPK-2737F

Dimensions.



	A(max)
252HXPK	14.6
252HX	13.3
252HN	13.3
252LN	11.4

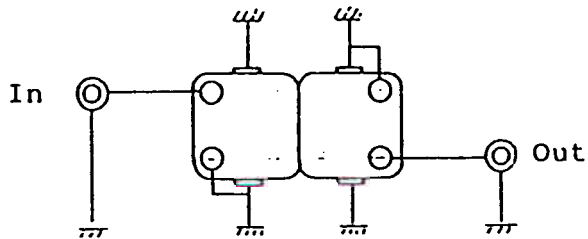
(Unit in m/m)

Electrical characteristics.

Center frequency (Fo)	:	910MHz
Tuning range	:	Fo ±
- 1 db bandwidth at Fo	:	15MHz min.
Insertion loss at Fo	:	3.0dB max.
Selectivity	Fo + 60 Mhz	: 12dB min.
	Fo - 60 Mhz	: 15dB min.
Ripple in pass band	:	1.5dB max.
Input impedance	:	50-ohms
Output impedance	:	50-ohms

Connection.

(Bottom view)



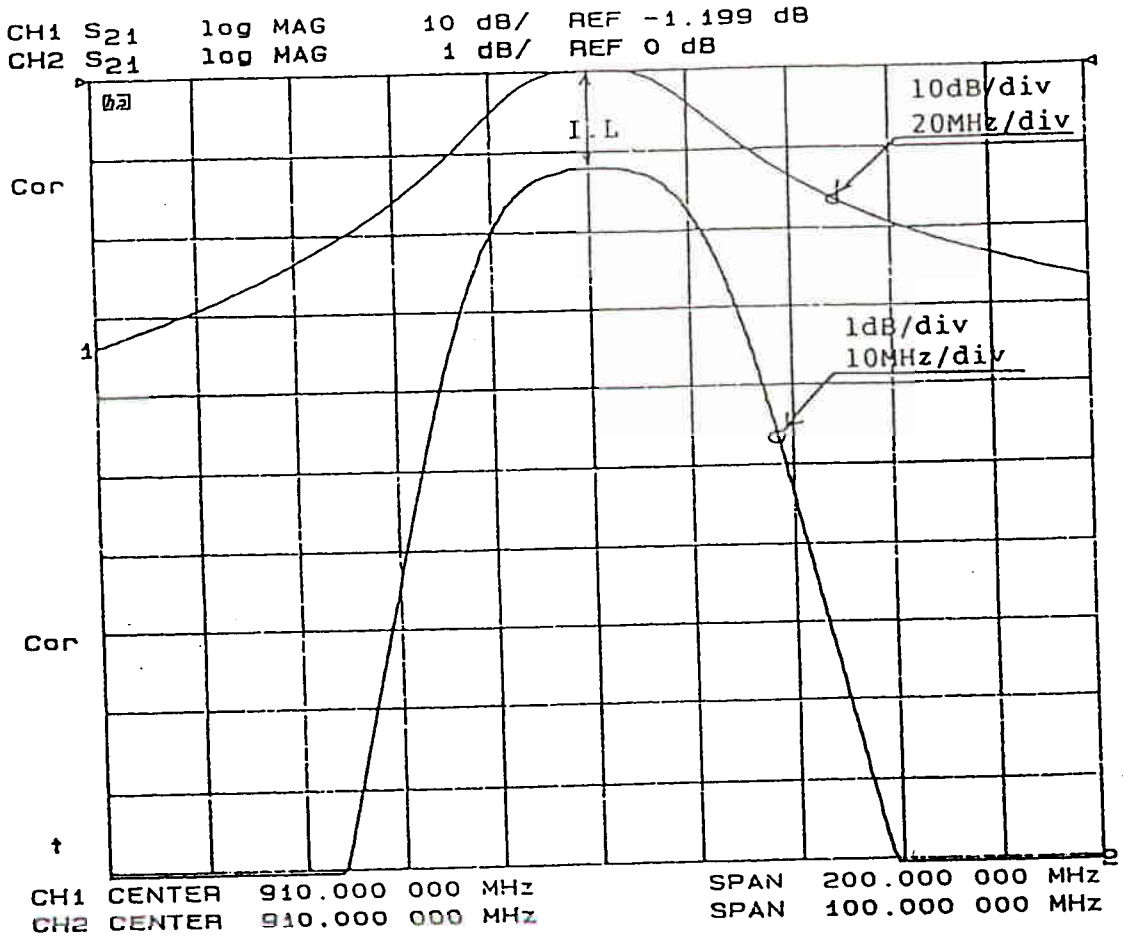
Remarks.

1. Please return one copy with your signature when samples are approved under the above specification.

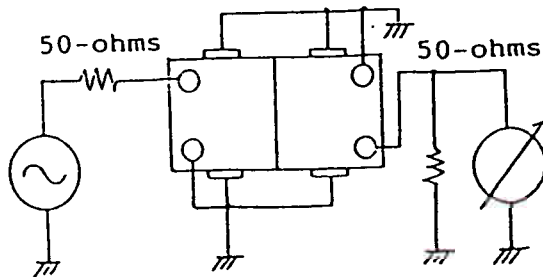
*Modified from 252HA-1568F

Date	Approved by	Made by	
Sep. 30, '89			Toko Inc 1-17, 2-Chome, Higashi-Yukigaya, Ohta-ku Tokyo. Fax. 03-728-4697
	K. Takahashi	H. Ohtsuka	

7HW : 252HXPK-2737F



Connections.



(Bottom view)