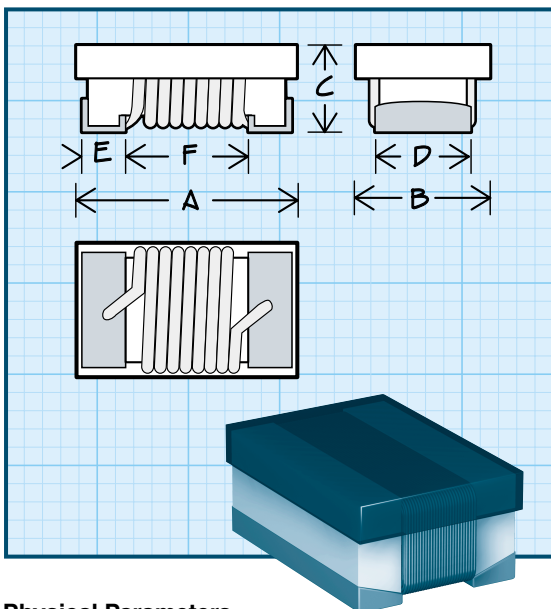


Open Construction
Wirewound Surface Mount Inductors



Physical Parameters

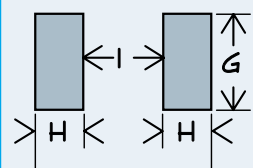
| | Inches | Millimeters |
|---|-------------------|------------------|
| A | 0.050 Max. | 1.27 Max. |
| B | 0.030 Max. | 0.76 Max. |
| C | 0.024 Max. | 0.61 Max. |
| D | 0.020 (Ref. Only) | 0.51 (Ref. Only) |
| E | 0.009 (Ref. Only) | 0.23 (Ref. Only) |
| F | 0.022 (Ref. Only) | 0.56 (Ref. Only) |
| G | 0.026 | 0.66 |
| H | 0.019 | 0.50 |
| I | 0.018 | 0.46 |

Operating Temperature Range -40°C to +125°C

Inductance and Q tested on HP4291A using HP16193A test fixture, or equivalent

Packaging Tape & reel (8mm): 7" reel, 4000 pieces max.

LAND PATTERN DIMENSIONS



DASH NUMBER*

INDUCTANCE
(nH) ±10%

Q MINIMUM

INDUCTANCE & Q TEST
FREQUENCY (MHz)

SRF MINIMUM (MHz)

DC RESISTANCE
MAXIMUM (OHMS)

CURRENT RATING
MAXIMUM (mA)

SERIES 0402 CERAMIC CORE

| | | | | | | |
|-------|-----|----|-----|--------|-------|------|
| -1N0K | 1.0 | 16 | 250 | 12,700 | 0.045 | 1360 |
| -1N9K | 1.9 | 16 | 250 | 11,300 | 0.070 | 1040 |
| -2N0K | 2.0 | 16 | 250 | 11,100 | 0.070 | 1040 |
| -2N2K | 2.2 | 19 | 250 | 10,800 | 0.070 | 960 |
| -2N4K | 2.4 | 15 | 250 | 10,500 | 0.070 | 790 |
| -2N7K | 2.7 | 16 | 250 | 10,400 | 0.120 | 640 |
| -3N3K | 3.3 | 19 | 250 | 7000 | 0.066 | 840 |
| -3N6K | 3.6 | 19 | 250 | 6800 | 0.066 | 840 |
| -3N9K | 3.9 | 19 | 250 | 5800 | 0.066 | 840 |
| -4N3K | 4.3 | 18 | 250 | 6000 | 0.091 | 700 |
| -4N7K | 4.7 | 15 | 250 | 4700 | 0.130 | 640 |
| -5N1K | 5.1 | 20 | 250 | 4800 | 0.083 | 800 |
| -5N6K | 5.6 | 20 | 250 | 4800 | 0.083 | 760 |
| -6N2K | 6.2 | 20 | 250 | 4800 | 0.083 | 760 |
| -6N8K | 6.8 | 20 | 250 | 4800 | 0.083 | 680 |
| -7N5K | 7.5 | 22 | 250 | 4800 | 0.104 | 680 |
| -8N2K | 8.2 | 22 | 250 | 4400 | 0.104 | 680 |
| -8N7K | 8.7 | 18 | 250 | 4100 | 0.200 | 480 |
| -9N0K | 9.0 | 22 | 250 | 4160 | 0.104 | 680 |
| -10NK | 10 | 21 | 250 | 3900 | 0.195 | 480 |
| -11NK | 11 | 24 | 250 | 3680 | 0.120 | 640 |
| -12NK | 12 | 24 | 250 | 3600 | 0.120 | 640 |
| -13NK | 13 | 24 | 250 | 3450 | 0.210 | 440 |
| -15NK | 15 | 24 | 250 | 3280 | 0.172 | 560 |
| -16NK | 16 | 24 | 250 | 3100 | 0.220 | 560 |
| -18NK | 18 | 24 | 250 | 3100 | 0.230 | 420 |
| -19NK | 19 | 24 | 250 | 3040 | 0.202 | 480 |
| -20NK | 20 | 25 | 250 | 3000 | 0.250 | 420 |
| -22NK | 22 | 25 | 250 | 2800 | 0.300 | 400 |
| -23NK | 23 | 24 | 250 | 2720 | 0.300 | 400 |
| -24NK | 24 | 25 | 250 | 2700 | 0.300 | 400 |
| -27NK | 27 | 24 | 250 | 2480 | 0.300 | 400 |
| -30NK | 30 | 25 | 250 | 2350 | 0.350 | 400 |
| -33NK | 33 | 24 | 250 | 2350 | 0.350 | 400 |
| -36NK | 36 | 24 | 250 | 2320 | 0.440 | 320 |
| -39NK | 39 | 25 | 250 | 2100 | 0.550 | 200 |
| -40NK | 40 | 24 | 250 | 2240 | 0.440 | 320 |
| -43NK | 43 | 25 | 250 | 2030 | 0.810 | 100 |
| -47NK | 47 | 20 | 250 | 2100 | 0.830 | 150 |
| -51NK | 51 | 25 | 250 | 1750 | 0.820 | 100 |
| -56NK | 56 | 22 | 250 | 1700 | 0.970 | 100 |
| -68NK | 68 | 22 | 250 | 1620 | 1.120 | 100 |

Optional Tolerances J = 5% G=2%
(1.0nH Min. Tolerance is ±10%)
(1.9nH - 2.7nH Min. Tolerance is ±5%)

*Complete part # must include series # PLUS the dash #

For further surface finish information,
refer to TECHNICAL section of this catalog.