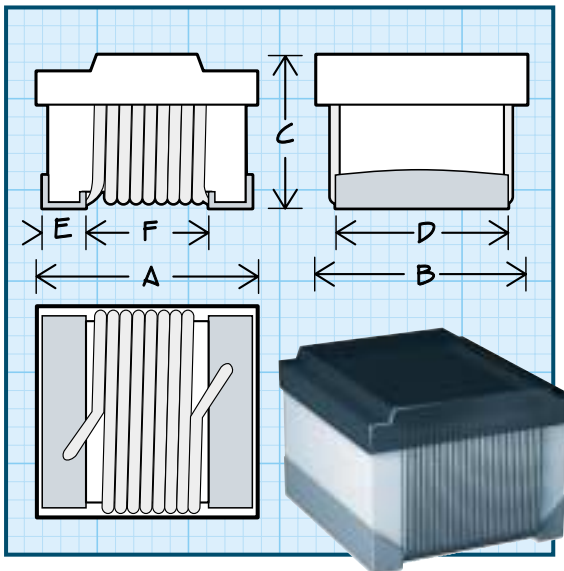


**Open Construction
Wirewound Surface Mount Inductors**



Physical Parameters

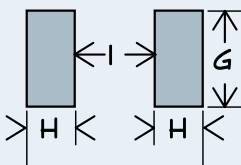
| | Inches | Millimeters |
|---|-------------------|------------------|
| A | 0.071 Max. | 1.80 Max. |
| B | 0.045 Max. | 1.14 Max. |
| C | 0.040 Max. | 1.02 Max. |
| D | 0.030 (Ref. only) | 0.76 (Ref. only) |
| E | 0.018 (Ref. only) | 0.44 (Ref. only) |
| F | 0.040 (Ref. only) | 1.03 (Ref. only) |
| G | 0.040 | 1.03 |
| H | 0.025 | 0.64 |
| I | 0.025 | 0.64 |

Operating Temperature Range -40°C to +125°C

Inductance and Q tested on HP4291A using HP16193A test fixture, or equivalent

Packaging Tape & reel (8mm): 7" reel, 4000 pieces max.

**LAND PATTERN
DIMENSIONS**



DASH NUMBER*

INDUCTANCE
(nH) ±10%

Q MINIMUM

INDUCTANCE & Q TEST
FREQUENCY (MHz)

SRF MINIMUM (MHz)

DC RESISTANCE
MAXIMUM (OHMS)

CURRENT RATING
MAXIMUM (mA)

SERIES 0603 CERAMIC CORE

| | | | | | | |
|-------|-----|----|-----|------|-------|-----|
| -1N6K | 1.6 | 16 | 250 | 6000 | 0.040 | 700 |
| -1N8K | 1.8 | 16 | 250 | 6000 | 0.045 | 700 |
| -3N3K | 3.3 | 22 | 250 | 6000 | 0.080 | 700 |
| -3N6K | 3.6 | 22 | 250 | 5800 | 0.063 | 700 |
| -3N9K | 3.9 | 22 | 250 | 6000 | 0.080 | 700 |
| -4N3K | 4.3 | 22 | 250 | 5800 | 0.063 | 700 |
| -4N7K | 4.7 | 25 | 250 | 5800 | 0.120 | 700 |
| -5N1K | 5.1 | 20 | 250 | 5800 | 0.160 | 700 |
| -5N6K | 5.6 | 20 | 250 | 5800 | 0.170 | 700 |
| -6N8K | 6.8 | 27 | 250 | 5800 | 0.110 | 700 |
| -7N5K | 7.5 | 27 | 250 | 4800 | 0.110 | 700 |
| -8N2K | 8.2 | 27 | 250 | 4800 | 0.110 | 700 |
| -8N7K | 8.7 | 27 | 250 | 4800 | 0.110 | 700 |
| -9N5K | 9.5 | 27 | 250 | 4800 | 0.130 | 700 |
| -10NK | 10 | 31 | 250 | 4800 | 0.130 | 700 |
| -11NK | 11 | 31 | 250 | 4000 | 0.086 | 700 |
| -12NK | 12 | 35 | 250 | 4000 | 0.130 | 700 |
| -15NK | 15 | 35 | 250 | 4000 | 0.170 | 700 |
| -16NK | 16 | 35 | 250 | 3300 | 0.110 | 700 |
| -18NK | 18 | 35 | 250 | 3100 | 0.170 | 700 |
| -22NK | 22 | 38 | 250 | 3000 | 0.190 | 700 |
| -24NK | 24 | 38 | 250 | 2800 | 0.130 | 700 |
| -27NK | 27 | 40 | 250 | 2800 | 0.220 | 600 |
| -30NK | 30 | 40 | 250 | 2800 | 0.150 | 600 |
| -33NK | 33 | 40 | 250 | 2300 | 0.220 | 600 |
| -36NK | 36 | 40 | 250 | 2300 | 0.250 | 600 |
| -39NK | 39 | 40 | 250 | 2200 | 0.250 | 600 |
| -43NK | 43 | 38 | 200 | 2000 | 0.280 | 600 |
| -47NK | 47 | 38 | 200 | 2000 | 0.280 | 600 |
| -56NK | 56 | 38 | 200 | 1900 | 0.310 | 600 |
| -68NK | 68 | 37 | 200 | 1700 | 0.340 | 600 |
| -72NK | 72 | 34 | 150 | 1700 | 0.490 | 400 |
| -82NK | 82 | 34 | 150 | 1700 | 0.540 | 400 |
| -101K | 100 | 34 | 150 | 1400 | 0.580 | 400 |
| -111K | 110 | 32 | 150 | 1350 | 0.610 | 300 |
| -121K | 120 | 32 | 150 | 1300 | 0.650 | 300 |
| -151K | 150 | 32 | 100 | 1300 | 0.950 | 280 |
| -181K | 180 | 25 | 100 | 1200 | 1.400 | 250 |
| -221K | 220 | 25 | 100 | 1200 | 1.600 | 250 |
| -271K | 270 | 25 | 100 | 900 | 2.100 | 200 |
| -331K | 330 | 25 | 100 | 900 | 3.800 | 100 |
| -391K | 390 | 25 | 100 | 900 | 4.350 | 100 |

Optional Tolerances: J = 5% G=2%
(1.6nH & 1.8nH Min. Tolerance is ±5%)

***Complete part # must include series # PLUS the dash #**

**For further surface finish information,
refer to TECHNICAL section of this catalog.**