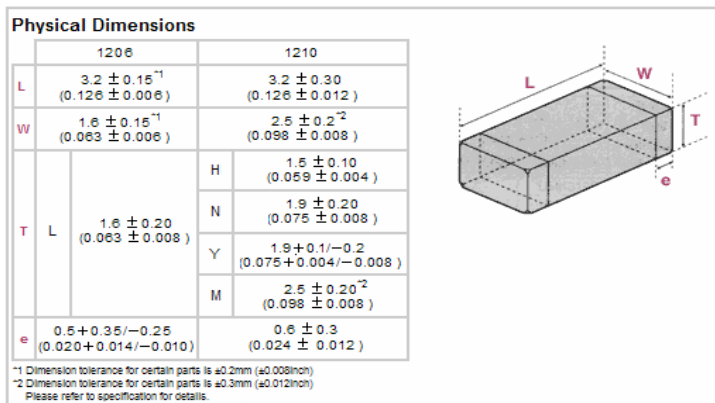


TAIYO-HICVCAP-V3

Taiyo Yuden 1206/1210 High Cap Value Ceramic Capacitor Kit

Case Size	PartNo.	Rated Voltage	Capacitance	Temperature Characteristic	Sample Qty.
1206	GMK316B7105KL-T	35V	1.0 μ F +/-10%	X7R	10
1206	TMK316B7225KL-T	25V	2.2 μ F +/-10%	X7R	10
1206	TMK316BJ475KL-T	25V	4.7 μ F +/-10%	X5R	10
1206	TMK316BJ106KL-T	25V	10 μ F +/-10%	X5R	10
1206	EMK316BJ475KL-T	16V	4.7 μ F +/-10%	X5R	10
1206	EMK316BJ106KL-T	16V	10 μ F +/-10%	X5R	10
1206	EMK316BJ226ML-T	16V	22 μ F +/-20%	X5R	10
1206	LMK316B7106KL-T	10V	10 μ F +/-10%	X7R	10
1206	LMK316BJ226ML-T	10V	22 μ F +/-20%	X5R	10
1206	JMK316BJ226ML-T	6.3V	22 μ F +/-20%	X5R	10
1206	JMK316BJ476ML-T	6.3V	47 μ F +/-20%	X5R	10
1210	UMK325B7105KH-T	50V	1.0 μ F +/-10%	X7R	10
1210	GMK325BJ225KN-T	35V	2.2 μ F +/-10%	X5R	10
1210	GMK325BJ106KN-T	35V	10 μ F +/-10%	X5R	10
1210	TMK325B7225KH-T	25V	2.2 μ F +/-10%	X7R	10
1210	TMK325B7475KN-T	25V	4.7 μ F +/-10%	X7R	10
1210	TMK325BJ106MM-T	25V	10 μ F +/-20%	X5R	10
1210	EMK325BJ226MM-T	16V	22 μ F +/-20%	X5R	10
1210	EMK325BJ476MM-T	16V	47 μ F +/-20%	X5R	10
1210	LMK325BJ226MM-T	10V	22 μ F +/-20%	X5R	10
1210	LMK325BJ476MM-T	10V	47 μ F +/-20%	X5R	10
1210	JMK325BJ476MM-T	6.3V	47 μ F +/-20%	X5R	10
1210	JMK325BJ107MY-T	6.3V	100 μ F +/-20%	X5R	10

* All components in this kit are RoHS compliant. Specifications subject to change without notice. Components in this kit are for design trial and testing performance and are not intended for use in mass production.



TAIYO YUDEN