

PRODUCT SPECIFICATION: GS-12-308  
 PACKAGING SPECIFICATION: GS-14-008  
 APPLICATION SPECIFICATION: GS-20-050

**MATERIAL:**

- 1 TER. BLOCK HSG: ... 30% GLASS FILLED POLYESTER  
FLAME RETARDENT ACC. TO UL-94 V0
- 2 SHROUD: ... 30% GLASS FILLED POLYAMIDE  
FLAME RETARDENT ACC. TO UL-94 V0
- 3 COVER: ... ZINC ALLOY
- 4 TERMINAL: ... TINBRONZE
- 5 SCREW: ... STEEL
- 6 TIE WRAP: ... STEEL

**7-ROHS INFORMATIONS:**

- This product meets European Union Directives and other country regulations as described in GS-22-008
- Packaging label spec: see GS-14-920.



Copyright FCI.

rev	ecn no	dr	date
B	LS4042	LGO	2004/10/27
C	LS4129	JTA	2004/12/15
D	LS05-0071	JTA	2005/08/12
E	LS06-0107	LGO	2006/09/08
F	LS06-0143	LGO	2006/09/25
G	LS07-0195	JTA	2007/09/05
-	-	-	-

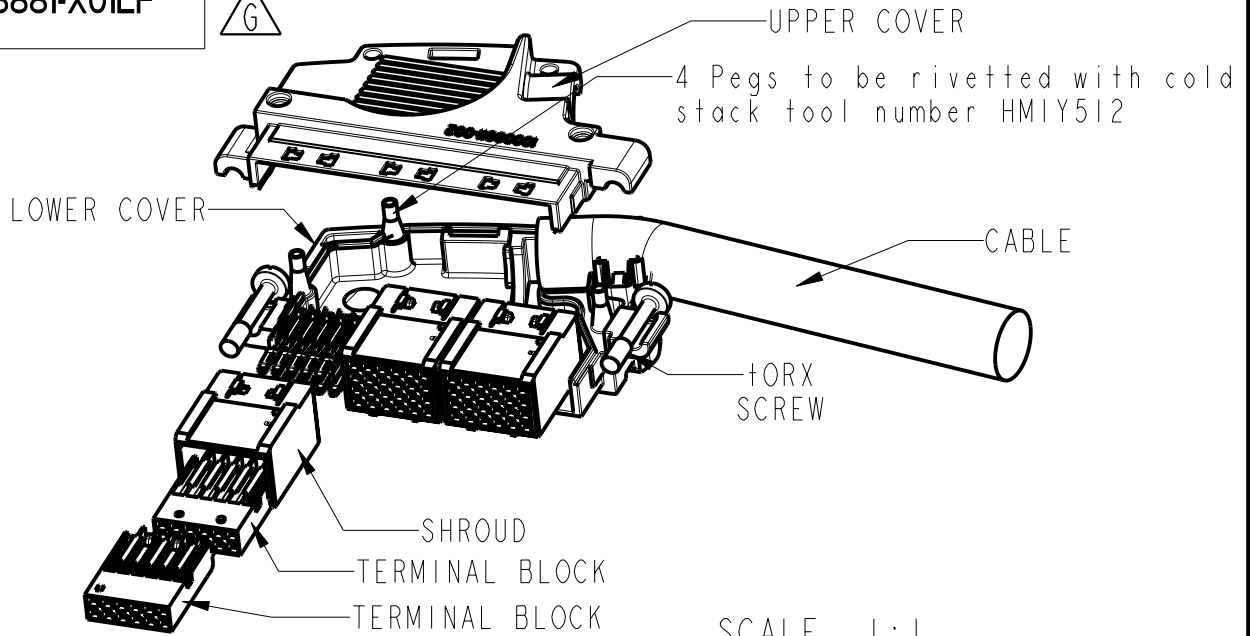
Performance Level	
10013881-1xxLF	Telcordia CO.
10013881-2xxLF	Customer Special



www.fciconnect.com			surface ISO 1302	- ✓	tolerance std ISO 406 ISO 1101	projection 	mm 
TOLERANCES UNLESS OTHERWISE SPECIFIED							
Dr	R. Rabout	2004/09/02	ANGULAR	LINEAR	0.X	±0.3	size A4
Eng	M. Loman	2004/09/02			0.XX	±0.1	
Chr	W. Panis	2004/09/02	0°	±2°	0.XXX	±0.05	ECN LS07-0195
Appr	M. Loman	2004/09/02	Product family			SOFIX	Spec ref SEE NOTES
		title 72 POS SOFIX IDC CABLE CONNECTOR			dwg no 10013881_C		Rev. G
catalog no				See Table		CUSTOMER COPY	sheet 1 of 3

REV F - 2006-04-17

10013881-X01LF



SCALE 1:1

Kit: 10013881-X01LF



COMPONENTS	QTY	MAXIMUM EXTERNAL Ø CABLE	AWG*
Upper cover	1		
Lower cover	1		
Screw M2.5x15	2		
Shroud	3		
Terminal block 12 POS	3		26
Terminal block 12 POS	3		26
Cable	1	10	
SS tie wrap	1		

\*Other AWG available upon request

Dimension with oval around are critical dimensions including any attached geometrical tolerance. Other features or stand-alone geometrical tolerances being critical have a note "CRITICAL FEATURE" below the item

A symbol  $\triangle_x$  (x: drawing current revision) will be next to any dimension, view or note which has been modified with the current drawing revision

www.fciconnect.com

surface	ISO 1302	tolerance std	ISO 406	ISO 1101
TOLERANCES UNLESS OTHERWISE SPECIFIED				

projection	mm

Dr	R. Rabout	2004/09/02	ANGULAR	0.X	±0.3	size	A4	ECN	LS07-0195
Eng	M. Loman	2004/09/02	LINEAR	0.XX	±0.1				
Chr	W. Panis	2004/09/02	0° ±2°	0.XXX	±0.05	Spec ref		SEE NOTES	
Appr	M. Loman	2004/09/02	Product family		SOFIX				



title 72 POS SOFIX  
IDC CABLE CONNECTOR

dwg no 10013881\_C

Rev. G

catalog no See Table CUSTOMER COPY sheet 2 of 3

REV F - 2006-04-17



Copyright FCI.

10013881-X31LF



UPPER COVER

4 Pegs to be rivetted with cold stack tool number HMIY512

LOWER COVER

CABLE

THUMB SCREW

TORX SCREW

SHROUD

TERMINAL BLOCK

TERMINAL BLOCK

SCALE 1:1

Kit: 10013881-X31LF



COMPONENTS	QTY	MAXIMUM EXTERNAL Ø CABLE	AWG*
Upper cover	1		
Lower cover	1		
Screw M2.5x15	1		
Thumb crew M2.5	1		
Shroud	3		
Terminal block 12 POS	3		26
Terminal block 12 POS	3		26
Cable	1	10	
SS tie wrap	1		

\* Other AWG available upon request

www.fciconnect.com

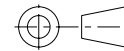
surface  
ISO 1302



tolerance std  
ISO 406 ISO 1101

projection

mm



TOLERANCES UNLESS OTHERWISE SPECIFIED

Dr	R.Rabout	2004/09/02	ANGULAR	LINEAR	0.X	±0.3	size A4	Scale 1:1
Eng	M.Loman	2004/09/02			0.XX	±0.1		
Chr	W.Panis	2004/09/02	0°	±2°	0.XXX	±0.05	ECN	LS07-0195
Appr	M.Loman	2004/09/02	Product family			SOFIX	Spec ref	SEE NOTES



title  
72 POS SOFIX  
IDC CABLE CONNECTOR

dwg no

10013881\_C

Rev.  
G

catalog no

See Table

CUSTOMER COPY

sheet 3 of 3

REV F - 2006-04-17