

RR series, high-precision metal film chip resistors



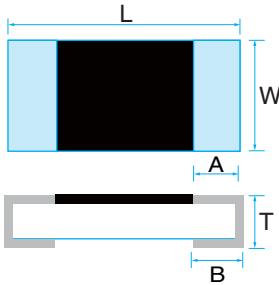
Thin Film Technology has achieved high performance chip resistors with low price and reliable supply. The parts offer excellent performance and tolerance in TCR, current noise, linearity, for high frequency circuit applications. Precise dimensions minimize errors during mounting. Tight tolerance allow for cost saving due to circuit simplification and elimination of trim pots for adjustment.

RoHS compliant Completely lead free



SPECIFICATIONS

Mechanical



Dimension (Inch Size)	RR0306 (0201)	RR0510 (0402)	RR0816 (0603)	RR1220 RN73 (0805)	RR1632 (1206)	RR2632 (1210)
L	0.60±0.05	1.00±0.05	1.60±0.20	2.00±0.20	3.20±0.20	3.20±0.20
W	0.30±0.05	0.50±0.05	0.80±0.20	1.25±0.20	1.60±0.20	2.60±0.20
A	0.12±0.05	0.20±0.10	0.30±0.20	0.40±0.20	0.50±0.20	0.50±0.20
B	0.12±0.05	0.25±0.05	0.30±0.20	0.40±0.20	0.45±0.20	0.45±0.20
T	0.23±0.03	0.35±0.05	0.40±0.10	0.40±0.10	0.40±0.10	0.40±0.10

(unit : mm)

Electrical

Type	RR0306	RR0510	RR0816	RR1220	RN73	RR1632			RR2632											
Power	1/20W		1/16W	1/16W	1/10W	1/10W	1/8W			1/4W										
Tolerance %(code)	±1.0% (F)	±0.5% (D)	±0.5% (D)	±0.5% (D)	±0.1% (B)	±0.5% (D)	±0.1% (B)			±0.5% (D)	±0.1% (B)									
Resistance Range (Ω)	10~30	33~22k	10~97.6	100~100k	10~97.6	100~360k	10~97.6	1M	511~100k	100~100k	10~49.9	51~1M	100~200k	100~200k	51~1M	10~49.9	51~2M	100~330k	100~330k	51~2M
TCR ppm /°C(code)	±100 (R)	±25 (P)	±100 (R)	±25 (P)	±50 (Q)	±25 (P)	±50 (Q)	±25 (P)	±5 (V)	±10 (N)	±50 (Q)	±25 (P)	±5 (V)	±10 (N)	±25 (P)	±50 (Q)	±25 (P)	±5 (V)	±10 (N)	±25 (P)
Resistance Value	E-24		E-24/E-96	E-24/E-96	E-24/E-96	E-24/E-96	E-24/E-96	E-24/E-96	E-24/E-96	E-24/E-96	E-24/E-96	E-24/E-96	E-24/E-96	E-24/E-96	E-24/E-96	E-24/E-96	E-24/E-96	E-24/E-96	E-24/E-96	E-24/E-96
Operating Temp. Range	-55°C ~ +125°C																			
Max Operating Voltage	15V		25V	75V	100V	100V	150V	150V	150V	150V	150V	150V	150V	150V	150V	150V	150V	150V	150V	150V
Package	5,000 pcs/reel		10,000 pcs/reel	5,000 pcs/reel	5,000 pcs/reel	5,000 pcs/reel	1,000(T1)·5,000(T5) pcs/reel	1,000(T1)·5,000(T5) pcs/reel	1,000(T1)·5,000(T5) pcs/reel	1,000(T1)·5,000(T5) pcs/reel	1,000(T1)·5,000(T5) pcs/reel	1,000(T1)·5,000(T5) pcs/reel	1,000(T1)·5,000(T5) pcs/reel	1,000(T1)·5,000(T5) pcs/reel	1,000(T1)·5,000(T5) pcs/reel	1,000(T1)·5,000(T5) pcs/reel	1,000(T1)·5,000(T5) pcs/reel	1,000(T1)·5,000(T5) pcs/reel	1,000(T1)·5,000(T5) pcs/reel	1,000(T1)·5,000(T5) pcs/reel

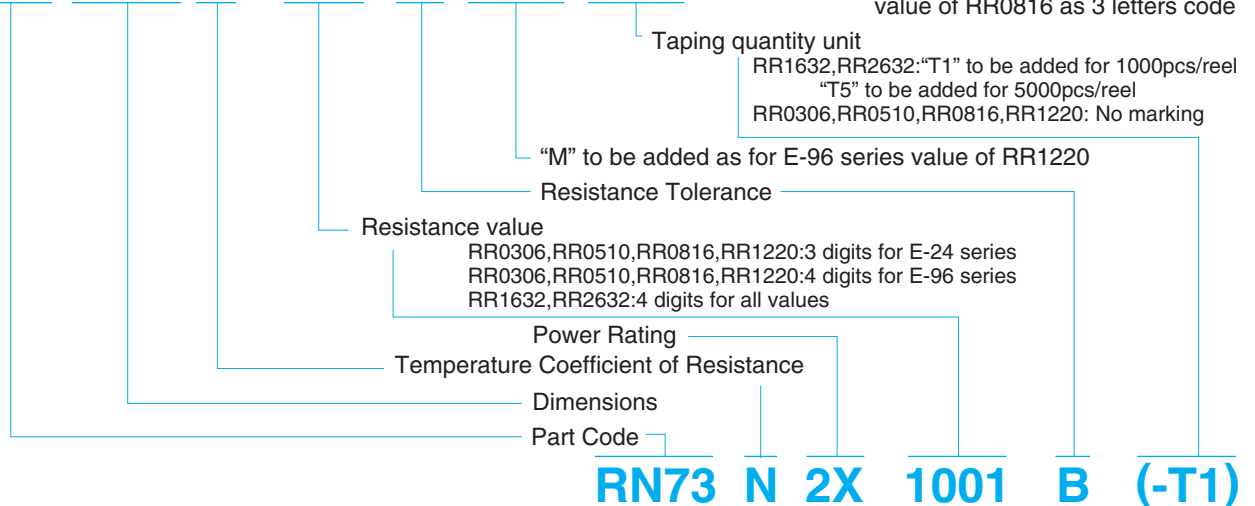
· Contact us also for RL0816-JMP jumper resistor whose dimensions are the same as those of RR0816.



PART NUMBER

RR 0816 P - 102 - D - (M) - (T5) - (***)

— To be added as for E-96 series value of RR0816 as 3 letters code



RN73 N 2X 1001 B (-T1)