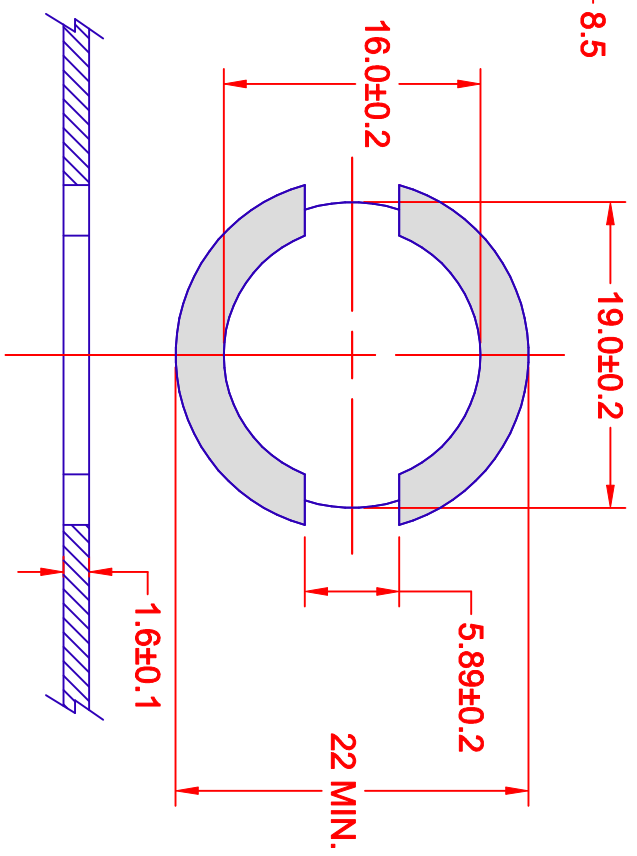
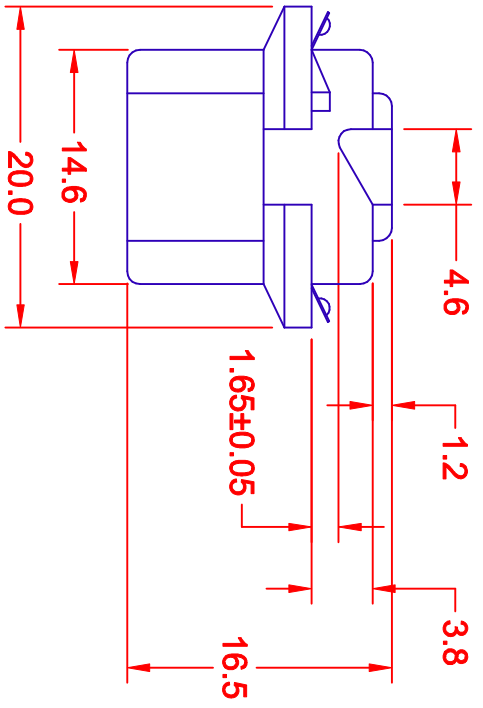
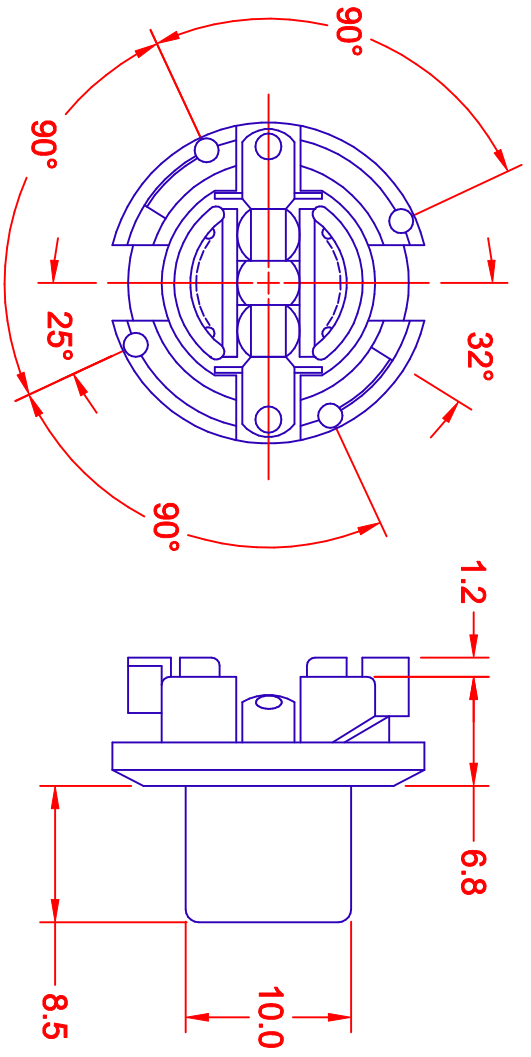


REV.	DESCRIPTION/ECO NO.	DATE
	RELEASED TO CAD	8/26/02
A	CHNG. COPPER PATTERN	4/3/03



P.C. BOARD PATTERN

JKL PART NO.: 2919/BLA
 SOCKET COLOR: BLACK

METRIC	DIMENSIONS ARE IN MILLIMETERS	JKL COMPONENTS CORPORATION	
THIRD ANGLE PROJECTION	TOLERANCE UNLESS OTHERWISE SPECIFIED	T-3 1/4 WEDGE BASE SOCKET	
1 PL +/- 0.2	2 PL +/- 0.20	SOCKET 2919	
ANGLE +/- 0		SCALE	NONE
DRAWN BY L. WENGSTROM	APPR'D BY J.K.	DATE	4/3/03
DATE	4/3/03	REV. NO.	A
- CAD DRAWING -		RELEASED DATE	8/26/02
MANUAL REVISIONS NOT PERMITTED		REVISION DATE	4/3/03
		REV. NO.	A
		SHEET	1 OF 1