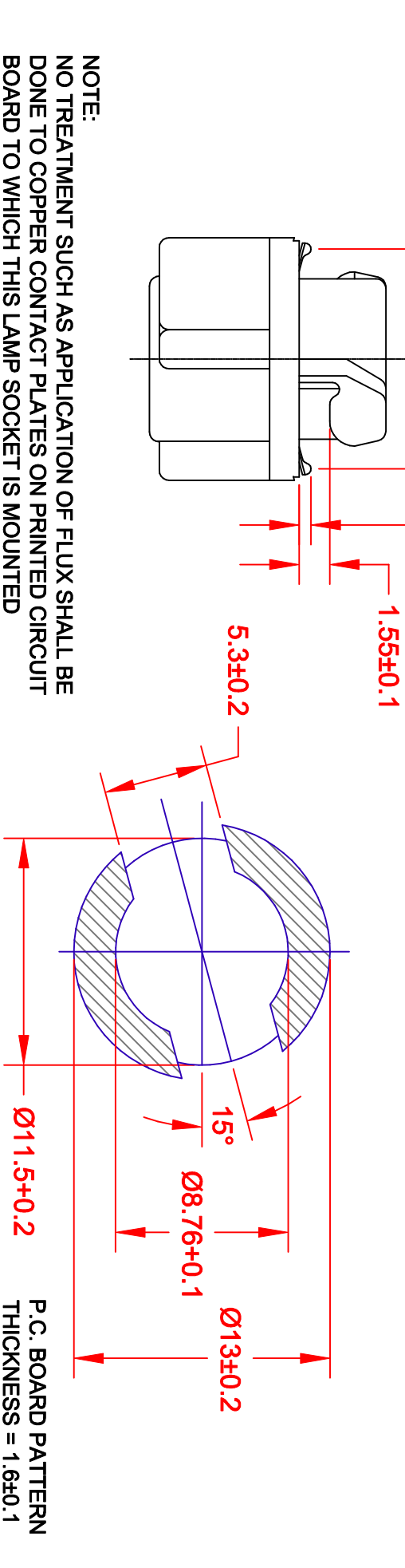
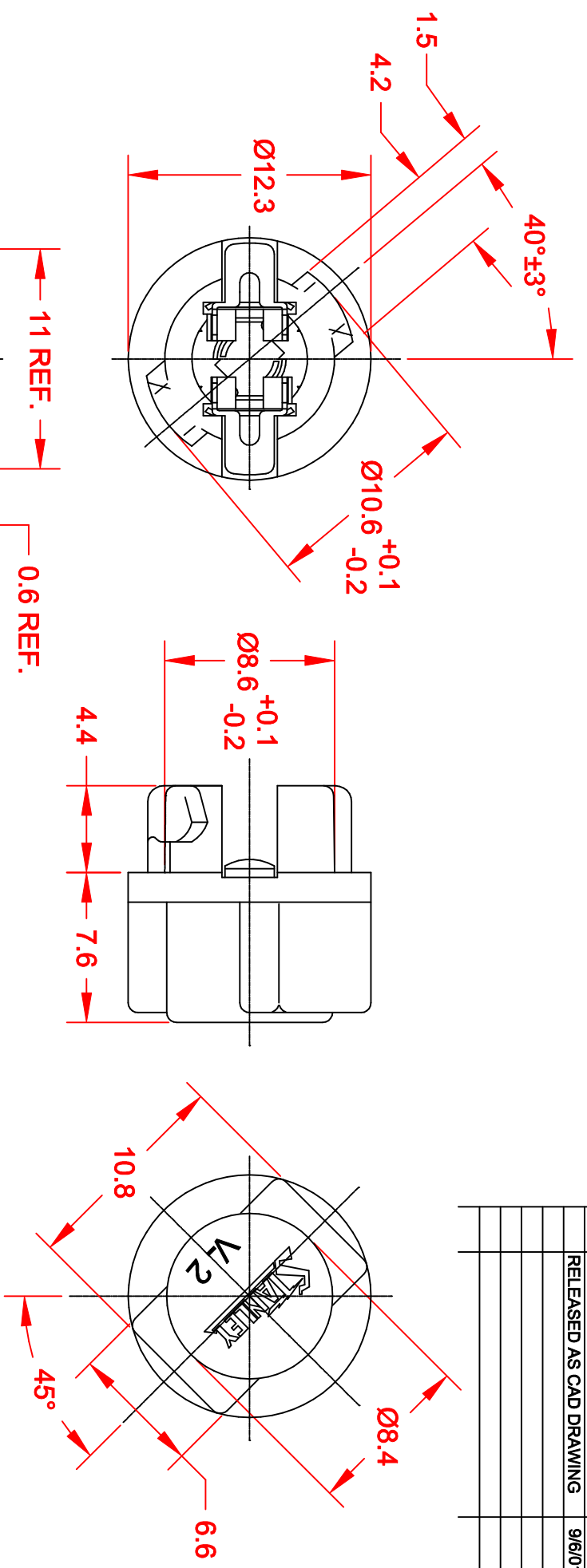


REV.	DESCRIPTION/ECCO NO.	DATE
	RELEASED AS CAD DRAWING	9/6/01



NOTE:
 NO TREATMENT SUCH AS APPLICATION OF FLUX SHALL BE DONE TO COPPER CONTACT PLATES ON PRINTED CIRCUIT BOARD TO WHICH THIS LAMP SOCKET IS MOUNTED

JKL SOCKET	COLOR
PART NO.	BLACK
2934/BLK	
2934/BRO	BROWN

METRIC	IN MILLIMETERS	JKL COMPONENTS CORPORATION	
THIRD ANGLE PROJECTION	TOLERANCE UNLESS OTHERWISE SPECIFIED	TITLE	
	1 PL +/- 0.2	T-1 3/4 WEDGE BASE SOCKET	
	2 PL +/- 0.20	SOCKET 2934	
	ANGLE +/- 0		
DRAWN BY L. WENGSTROM	APPROV BY JK	DATE 9/6/01	DRAWING NO. 55335
- CAD DRAWING -		SCALE NONE	REVISED DATE 9/6/01
MANUAL REVISIONS NOT PERMITTED		REV. NO.	SHEET NO.
			1 OF 1