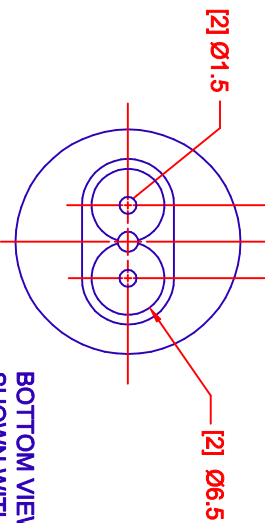
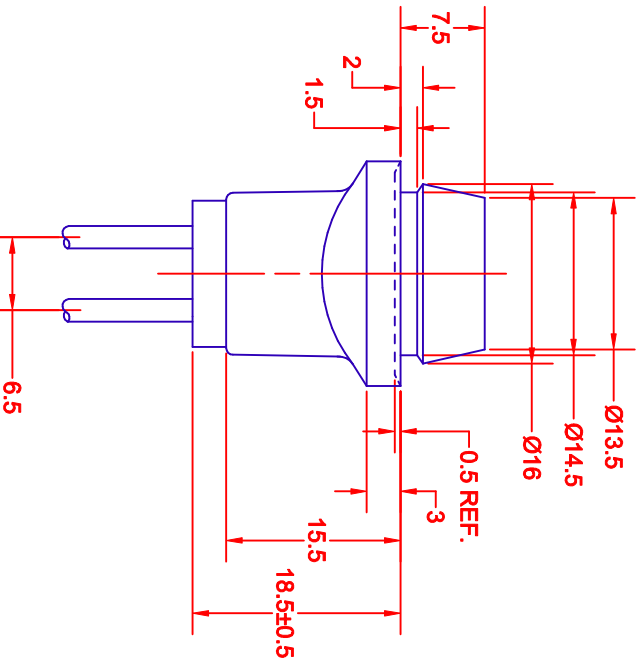
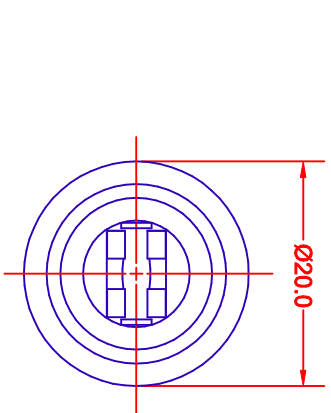
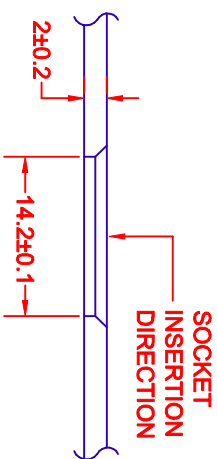


REV.	DESCRIPTION/ECO NO.	DATE
	RELEASED AS CAD	9/11/02

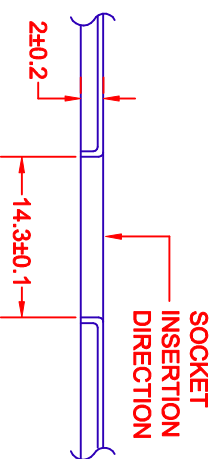


BOTTOM VIEW
SHOWN WITHOUT WIRE

PLASTIC PANEL



METAL PANEL



BASE COLOR: GRAY

METRIC		THIRD ANGLE PROJECTION
DIMENSIONS ARE IN MILLIMETERS	TOLERANCE UNLESS OTHERWISE SPECIFIED	1 PL +/- 0.2 2 PL +/- 0.20 ANGLE +/- 0
DRAWN BY	APP'D BY	DATE
L. WENGSTROM	J.K.	9/11/02
- CAD DRAWING -		
MANUAL REVISIONS NOT PERMITTED		
JKL COMPONENTS CORPORATION	TITLE	SIZE
	T-3 1/4 PUSH-IN TYPE SOCKET	A
SOCKET 2964	FORM NO.	55335
REV. NO.	RELEASED DATE	REVISION DATE
1	9/11/02	
SHEET		
1 OF 1		