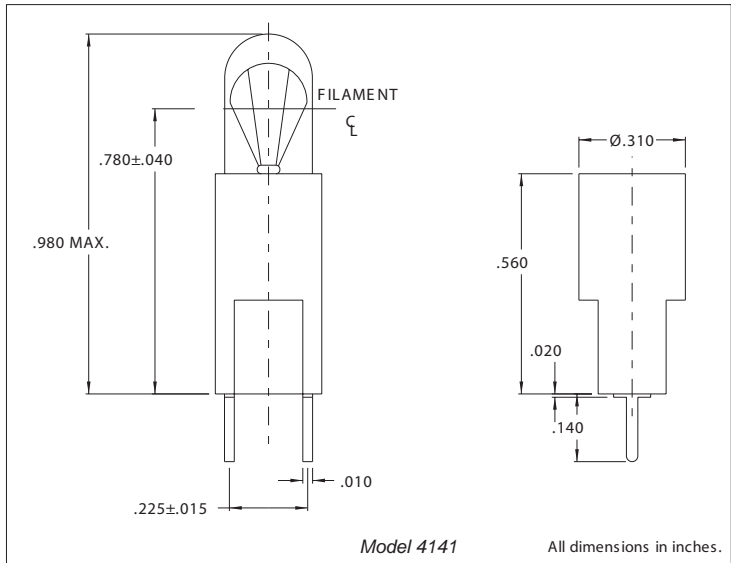


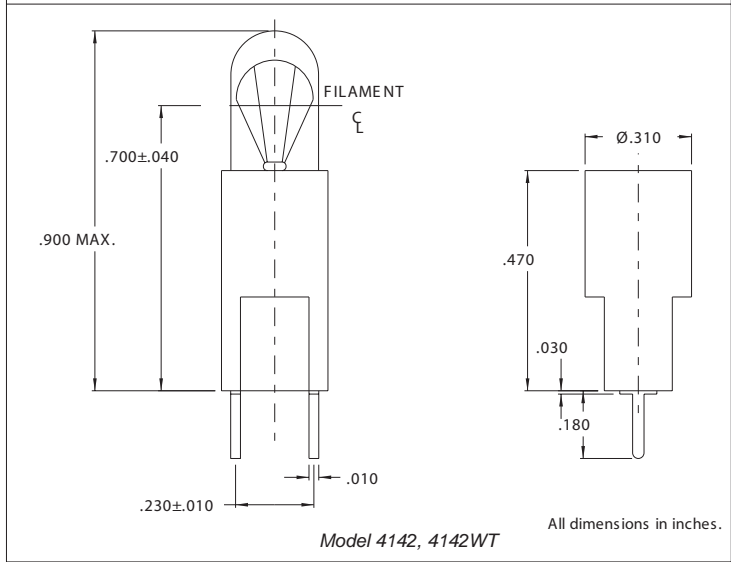


**4141, 4142 and 4142WT Series Relampable Socket**

**DESCRIPTION AND FEATURES**



Mounting: Printed circuit Board  
 Mounting pattern on page SP2.  
 Terminals: Tinned brass  
 Housing: White nylon  
 Lamp: T-1 3/4 Wedge base  
 Note: Lamps must be ordered separately.



Mounting: Printed circuit Board  
 Mounting pattern on page SP2.  
 Terminals: Tinned brass  
 Housing: Black nylon for 4142,  
           White nylon for 4142WT  
 Lamp: T-1 3/4 Wedge base  
 Note: Lamps must be ordered separately.