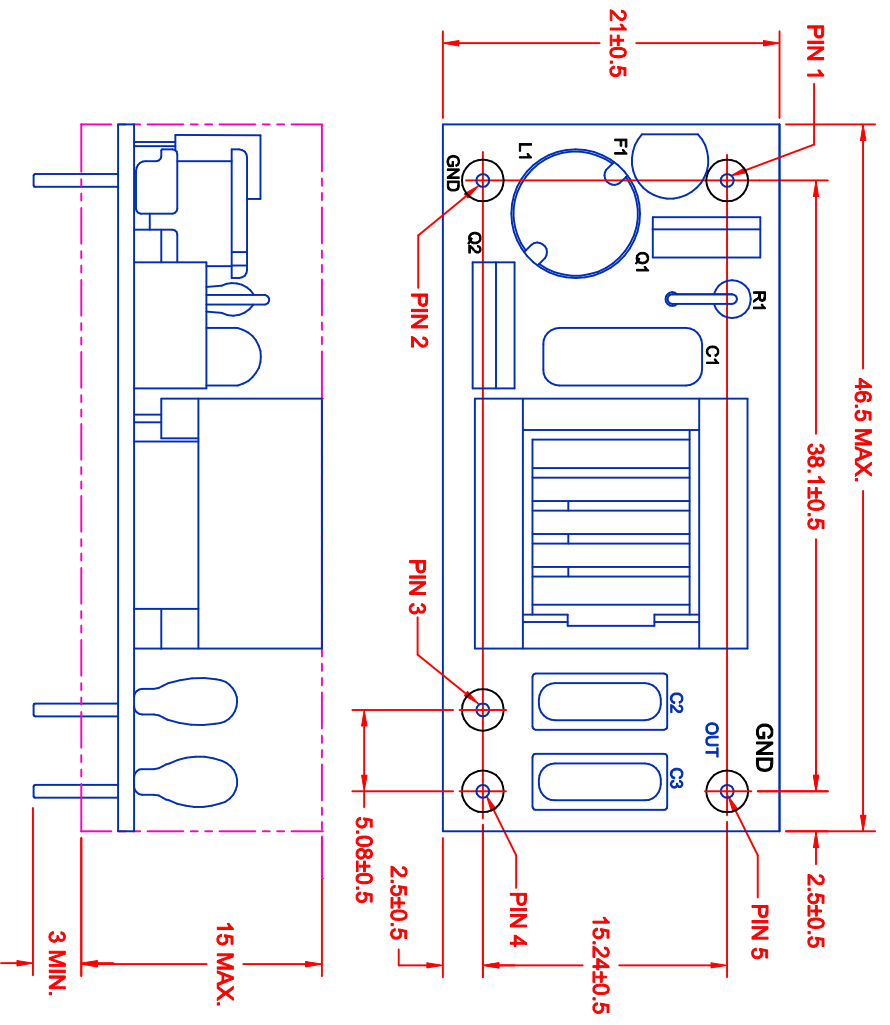


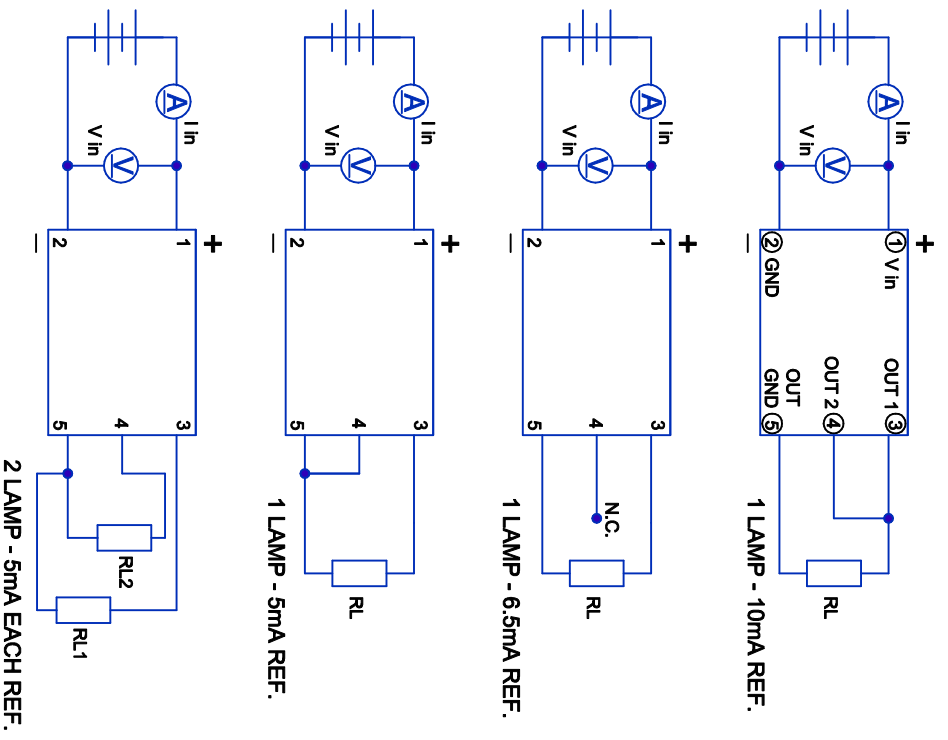
| REV. | DESCRIPTION/ECO NO. | DATE |
|------|---------------------|---------|
| | RELEASED | 3/10/03 |
| | | |
| | | |
| | | |
| | | |



CAUTION:
REVERSE POLARITY TO INVERTER
INPUT WILL CAUSE AN OPEN CIRCUIT
IN FUSE F1.

| BOARD PIN # | INPUT |
|-------------|-----------|
| 1 | +V (V In) |
| 2 | V (GND) |
| 3 | OUT 1 |
| 4 | OUT 2 |
| 5 | OUT (GND) |

| CHARACTERISTICS | MIN | TYP | MAX |
|---------------------------|------|------|------|
| INPUT VOLTAGE: (Vdc) | 21.6 | 24.0 | 26.4 |
| INPUT CURRENT: (mA) | 80 | 140 | 200 |
| OUTPUT VOLTAGE: (Vrms) | 900 | 1000 | 1100 |
| OUTPUT CURRENT (mA) x 2 | 4.5 | 5.5 | 6.5 |
| OUTPUT FREQUENCY: (KHz) | 20 | 30 | 45 |
| OPERATING TEMP: (CELSIUS) | 0 | 25 | 50 |



| | | | |
|-----------------------------------|-----------|--------------------------------------|---|
| METRIC | | DIMENSIONS ARE IN MILLIMETERS | TOLERANCE UNLESS OTHERWISE SPECIFIED |
| THIRD ANGLE PROJECTION | | 1 PL +/- 0.3 | 2 PL +/- 0.3 |
| DRAWN BY L. WENGSTROM | APPR'D BY | F.D. | DATE |
| MANUAL REVISIONS NOT PERMITTED | | | |
| JKL COMPONENTS CORPORATION | | TITLE | |
| 24 V CCFL POWER SUPPLY | | FSCH NO. | DRAWING NO. |
| | | 55335 | BXA-24529 |
| SCALE | SIZE | RELEASED DATE | REVISION DATE |
| NONE | A | 3/10/03 | |
| | | REV. NO. | SHEET OF |