

MATING CONNECTORS:

REF.	DESCRIPTION	PART NUMBER	MFG.
CN-1	INPUT HOUSING TERMINAL	IL-Z-5S-S125C3	JAE
CN-1	INPUT HARNESS	IL-Z-C3-A-15000	JKL
CN-2	OUTPUT HOUSING TERMINAL	BXC-10546	JKL
CN-2	OUTPUT HARNESS	M63M83-04 M63C84-1 BXC-10632	MITSUM
CN-2	OUTPUT HARNESS		JKL

PERFORMANCE SPECIFICATIONS:

DESCRIPTION	SYM	MIN	TYP	MAX	UNITS
INPUT VOLTAGE	VIN	8.0	12.0	16.0	V DC
INPUT CURRENT	IIN	270	320	370	MA DC
OUTPUT VOLTAGE	VL	900	1000	----	V RMS
OUTPUT CURRENT	IL	5.0	6.0	7.0	MA RMS
OSC. FREQUENCY	Fo	45	55	65	K HZ

TESTED WITH 3mm X 220mm LAMP,
AT 25°C, V = 12.0 V ± 0.1 V.

CONTROL FUNCTIONS:

CNT (INPUT PIN 3) IS USED AS AN INHIBIT FUNCTION, "+V" OR "OPEN" EQUALS OFF. "GND" EQUALS ON.

Vr1 AND Vr2 (INPUT PINS 1 AND 2) ARE USED TO PROVIDE, THE DIMMING FUNCTION, 0 OHMS EQUALS 100 % OUTPUT, 10K OHMS EQUALS 40% OUTPUT.

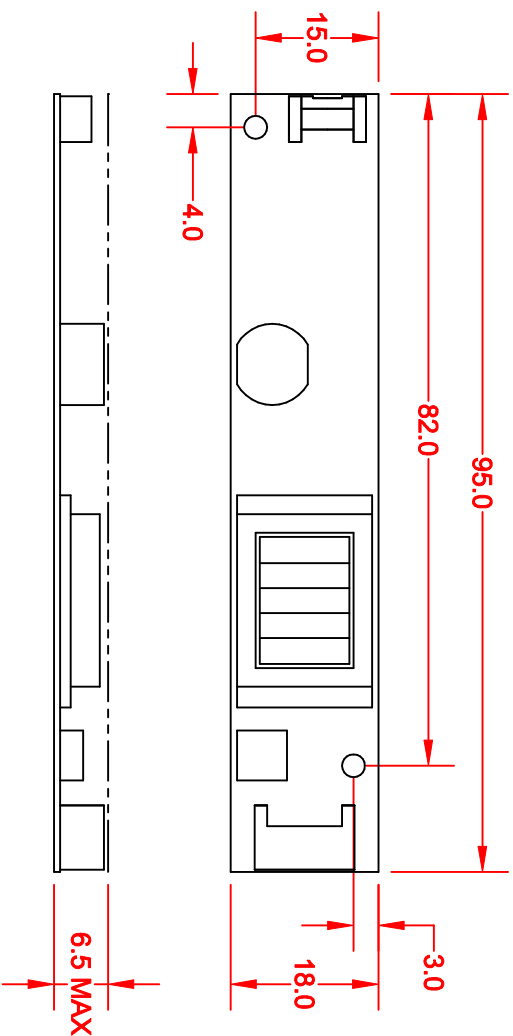
NOTE: THE SWITCH AND POTENTIOMETER SHOWN ON THE WIRING DIAGRAM ARE NOT A PART OF THE BXA-12565-6M INVERTER. THESE PARTS ARE AVAILABLE FROM MOST ELECTRONIC PARTS DISTRIBUTORS.

OPERATING CHARACTERISTICS:

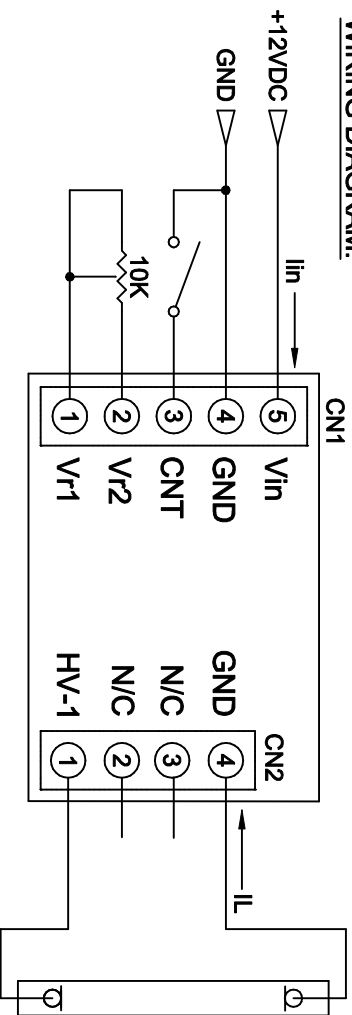
INPUT VOLTAGE RANGE: 8.0 TO 16.0 Vdc
 OUTPUT DIMMING RANGE: 100% TO 40%
 OPERATING TEMP. RANGE: 0°C TO +60°C
 STORAGE TEMP. RANGE: -20°C TO +70°C

ABSOLUTE MAXIMUM RATINGS:

INPUT VOLTAGE: 18.0 Vdc
 LAMP SIZE: Ø3mm X 240mm



WIRING DIAGRAM:



METRIC		DIMENSIONS ARE IN MILLIMETERS		TITLE	
THIRD ANGLE PROJECTION		TOLERANCE UNLESS OTHERWISE SPECIFIED		12 VDC INPUT, DIMMING 100% - 40%	
ANGLE +/- 0		1 PL +/- REF.		CCFL INVERTER	
DRAWN BY L. WENGSTROM		APPR'D BY J.K.		DATE 8/5/04	
SCALE NONE		SIZE A		FSCM NO. 55335	
MANUAL REVISIONS NOT PERMITTED		- CAD DRAWING -		DRAWING NO. BXA-12565-6M	
		RELEASED DATE 8/5/04		REVISION DATE	
		REV. NO.		SHEET 1 OF 1	

REV.	DESCRIPTION/ECO NO.	DATE
	ENGR. RELEASED TO CAD	8/5/04