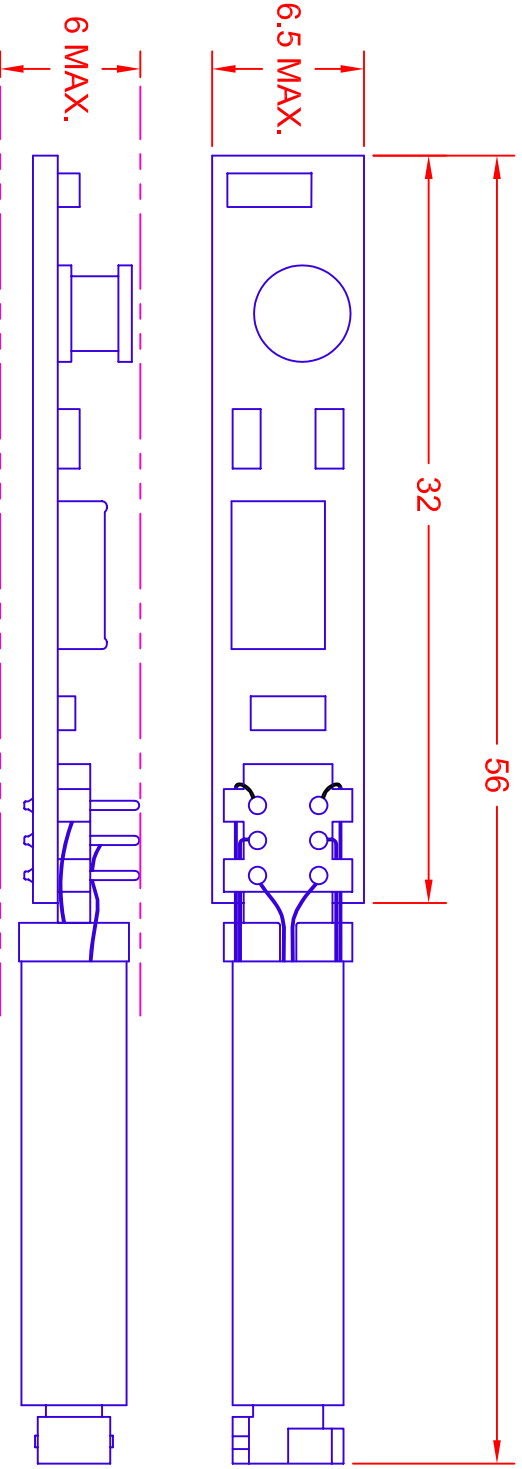
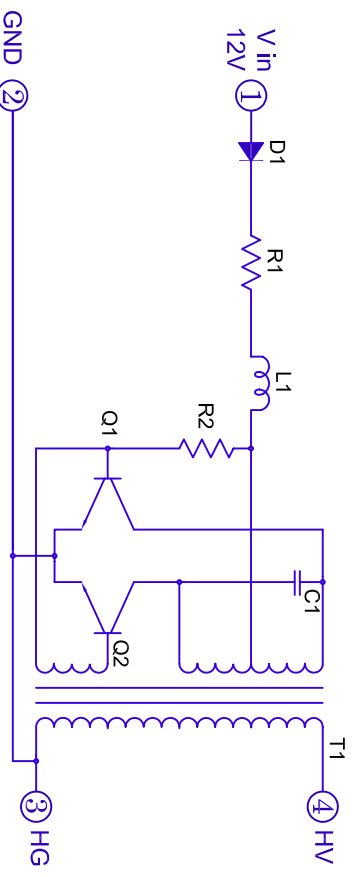
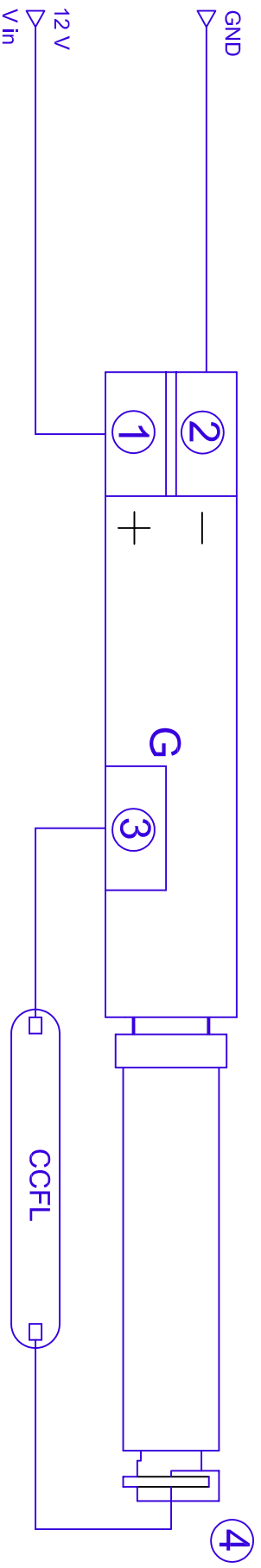


REV.	DESCRIPTION/ECO NO.	DATE
A	RELEASED AS CAD DRW.	7/11/03
B	OPER. SPEC. CORRECTION	9/24/03
	ADD RoHS NOTE	3/16/07



BOARD PIN #	INPUT
1	+V (V in)
2	V (GND)
3	OUT GND
4	V OUT



OPERATING SPECIFICATIONS

CHARACTERISTICS	MIN	TYP	MAX
INPUT VOLTAGE: (Vdc)	10.0	12.0	15.0
INPUT CURRENT: (mA)	130	150	170
OUTPUT VOLTAGE: (Vrms)	700	800	900
OUTPUT CURRENT (mA)	3.0	4.0	5.0
OUTPUT FREQUENCY: (KHz)	85	105	125
OPERATING TEMP: (CELSIUS)	0	25	50

METRIC		DIMENSIONS ARE IN MILLIMETERS		TITLE	
THIRD ANGLE PROJECTION		TOLERANCE UNLESS OTHERWISE SPECIFIED		JKL COMPONENTS CORPORATION	
DRAWN BY L. WENGSTROM		1 PL +/- 0.2		12V CCFL INVERTER	
APPR'D BY J.K.		2 PL +/-		FSCM NO. 55335	
DATE 3/16/07		ANGLE +/- 0		DRAWING NO. BXA-12576	
SCALE A		NONE		RELEASED DATE 7/11/03	
MANUAL REVISIONS NOT PERMITTED		- CAD DRAWING -		REVISION DATE 3/16/07	
				REV. NO. B	
				SHEET OF	

*JKL PART NO.: BXA-12576
*ROHS COMPLIANT