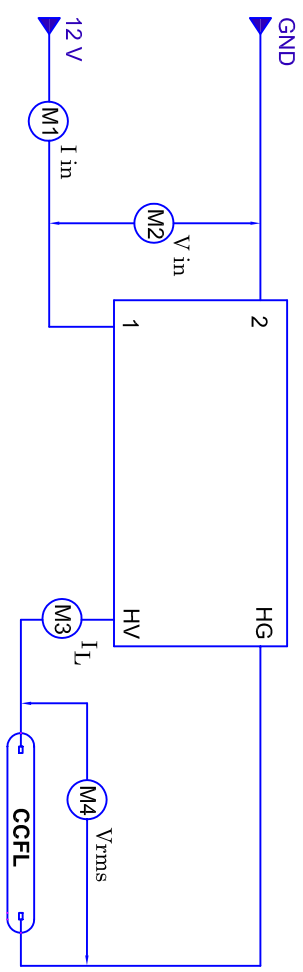
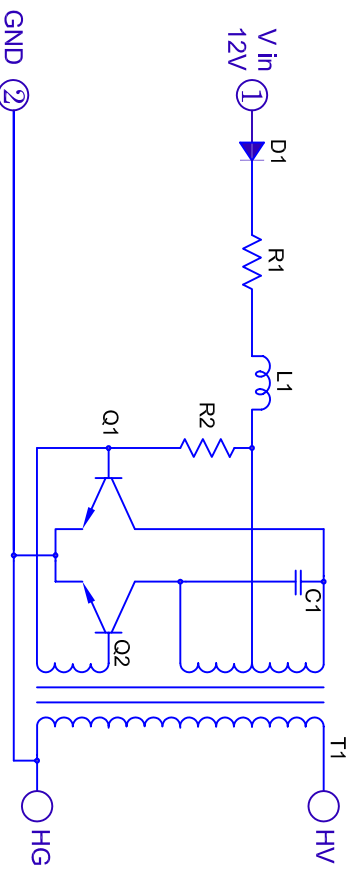
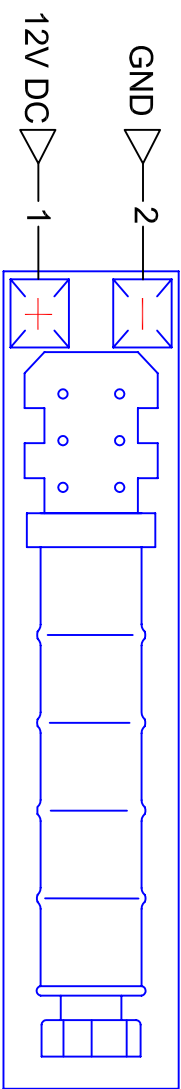


TOLERANCE	
L < 20	±0.2
20 ≤ L < 50	±0.3
50 ≤ L < 100	±0.4
100 ≤ L	±0.5

REV.	DESCRIPTION/ECO NO.	DATE
	RELEASED AS CAD DRW.	9/25/01
A	CHNG PER SUPPLIERS SPEC.	4/3/07

CHARACTERISTICS			
	MIN	TYP	MAX
INPUT VOLTAGE: (vdc)	10.8	12.0	15.0
INPUT CURRENT: (mA)	115	135	155
OUTPUT VOLTAGE: (Vrms)	-	800	-
OUTPUT CURRENT: (marms)	3.9	4.6	5.3
OUTPUT FREQUENCY: (KHz)	80	90	100
OPERATING TEMP: (CELSIUS)	0	25	50

BOARD PIN #	INPUT	
1	+V (V in)	M1 - INPUT CURRENT (I in)
2	V (GND)	M2 - INPUT VOLTAGE (V in)
HV	V OUT	M3 - OUTPUT CURRENT (I out)
HG	OUT GND	M4 - OUTPUT VOLTAGE (V out)



<b>METRIC</b> 	DIMENSIONS ARE IN MILLIMETERS		TOLERANCE UNLESS OTHERWISE SPECIFIED	
	1 PL +/-	0.2	2 PL +/-	0.2
THIRD ANGLE PROJECTION	ANGLE +/-	0		
DRAWN BY L. WENGSTROM	DATE 4/3/07	APPR'D BY	DATE	
L.R.				
<b>JKL COMPONENTS CORPORATION</b> 12V CCFL POWER SUPPLY		SIZE <b>A</b>	FCGM NO. <b>55335</b>	DRAWING NO. <b>BXA-12577</b>
- CAD DRAWING - MANUAL REVISIONS NOT PERMITTED		SCALE NONE	RELEASED DATE 9/25/01	REVISION DATE 4/3/07
		REV. NO. <b>A</b>	SHEET OF	

NOTE: ROHS COMPLIANT