

**MATING CONNECTORS:**

REF.	DESCRIPTION	PART NUMBER	MFG.
CN-1	INPUT HOUSING TERMINAL	51021-0500 50079-8000	MOLEX
CN-1	INPUT HARNESS	BXC-10549	JKL
CN-2	OUTPUT HOUSING TERMINAL	BHR-03VS-1 SBH-001T-P0.5	JST
CN-2	OUTPUT HARNESS	BXC-10643	JKL

**OPERATING CHARACTERISTICS:**

INPUT VOLTAGE RANGE: 10.0 Vdc To 14.0 Vdc  
 NOMINAL INPUT POWER: 1.8 WATTS  
 OUTPUT DIMMING RANGE (R MODE): 33% TO 100%  
 OUTPUT DIMMING RANGE (V MODE): N/A  
 OPERATING TEMPERATURE RANGE: 0°C TO 60°C  
 STORAGE TEMPERATURE RANGE: -20°C TO 70°C

**ABSOLUTE MAXIMUM RATINGS:**

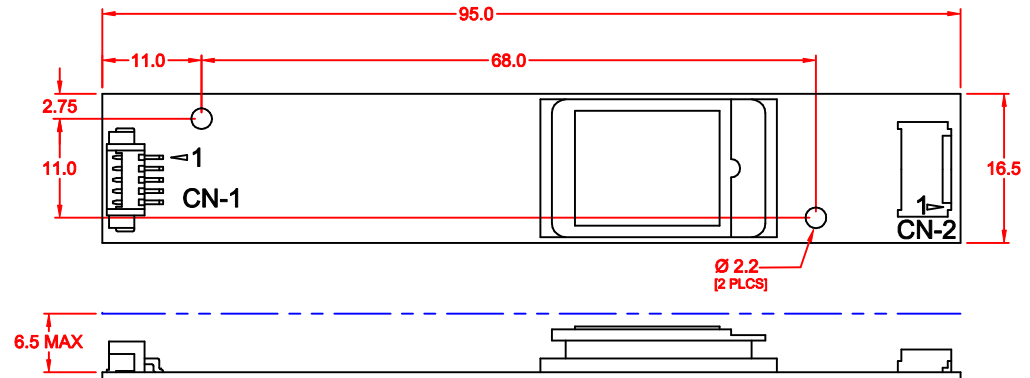
MAXIMUM INPUT VOLTAGE: 16.0 Vdc  
 MAXIMUM RELATIVE HUMIDITY: 95%

REV.	DESCRIPTION/ECO NO.	DATE
	ENGR. RELEASED TO CAD	8/5/04

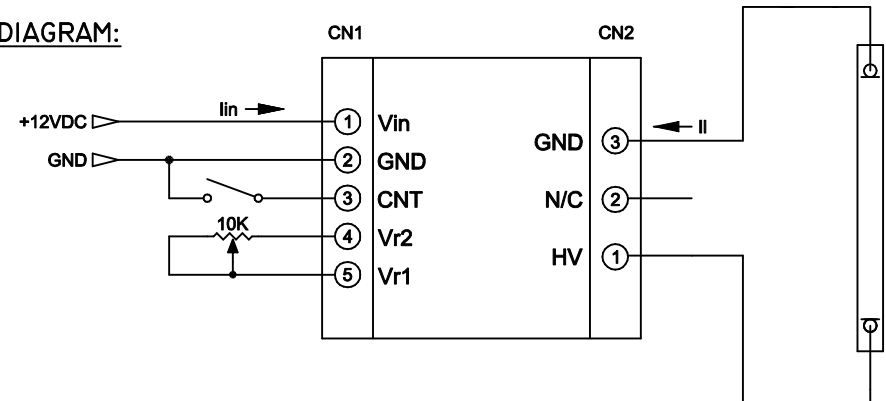
**PERFORMANCE SPECIFICATIONS:**

DESCRIPTION	SYM	MIN	TYP	MAX	UNITS
INPUT VOLTAGE	V <sub>IN</sub>	10.0	12.0	13.2	V DC
INPUT CURRENT	I <sub>IN</sub>	100	150	200	MA DC
OUTPUT VOLTAGE	V <sub>L</sub>	900	1000	---	V RMS
OUTPUT CURRENT	I <sub>L</sub>	2.5	3.0	3.5	MA RMS
OSC. FREQUENCY	F <sub>o</sub>	40	50	60	K HZ

TESTED WITH 1 EACH 3MM X 164MM LAMP, AT 25°C, V<sub>IN</sub>= 12.0V ± 0.1V.



**WIRING DIAGRAM:**



**CONTROL FUNCTIONS:**

CNT (INPUT PIN 3) IS USED AS AN INHIBIT FUNCTION, "GND" EQUALS ON. "+V" OR "OPEN" EQUALS OFF.

R MODE DIMMING: VRI AND VR2 (INPUT PINS 4 AND 5) ARE USED TO PROVIDE, THE DIMMING FUNCTION, "0" OHMS EQUALS 100% LIGHT OUTPUT, "10K" OHMS EQUALS 33% LIGHT OUTPUT.

NOTE: THE SWITCH AND POTENTIOMETER SHOWN ON THE WIRING DIAGRAM ARE NOT A PART OF THE BXA-12592-3M INVERTER. THESE PARTS ARE AVAILABLE FROM MOST ELECTRONIC PARTS DISTRIBUTORS.

<p>THIRD ANGLE PROJECTION</p>	<p><b>METRIC</b></p>	<p>DIMENSIONS ARE IN MILLIMETERS</p>	<p><b>JKL COMPONENTS CORPORATION</b></p>				
	<p>TOLERANCE UNLESS OTHERWISE SPECIFIED</p> <p>1 PL +/- REF.</p> <p>2 PL +/-</p> <p>ANGLE +/- 0</p>	<p>TITLE</p> <p><b>12V DC INPUT, SINGLE OUTPUT, DIMMING CCFL INVERTER</b></p>					
<p>DRAWN BY</p> <p>L. WENGSTROM</p>	<p>APPVD BY</p> <p>J.K.</p>	<p>DATE</p> <p>8/5/04</p>	<p>SIZE</p> <p><b>A</b></p>	<p>FSCM NO.</p> <p><b>55335</b></p>	<p>DRAWING NO.</p>	<p><b>BXA-12592-3M</b></p>	
<p>- CAD DRAWING -</p> <p>MANUAL REVISIONS NOT PERMITTED</p>			<p>SCALE</p> <p><b>NONE</b></p>	<p>RELEASED DATE</p> <p><b>8/5/04</b></p>	<p>REVISION DATE</p>	<p>REV. NO.</p>	<p>SHEET</p> <p><b>1 OF 1</b></p>