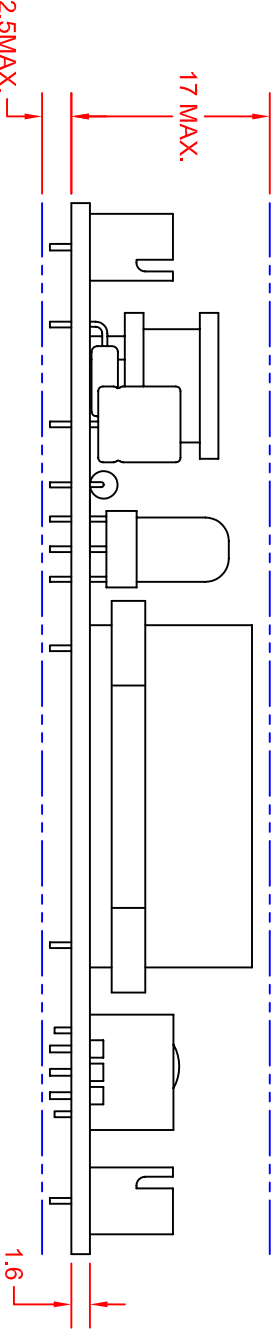
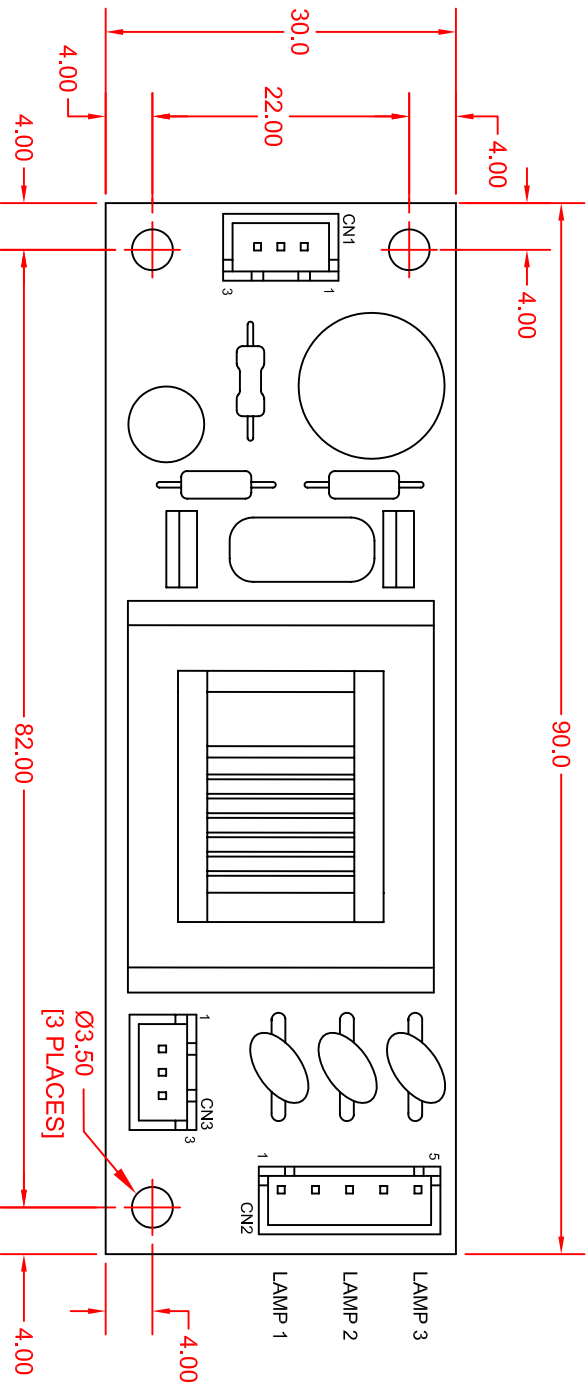


REV.	DESCRIPTION/ECO NO.	DATE
	RELEASED & CANCEL P-0410-15	3/10/05



JKL PART NO.: BXA-12379

OPERATING SPECIFICATIONS

CHARACTERISTICS	MIN	TYP	MAX
INPUT VOLTAGE: (Vdc)	10.8	12.0	13.2
INPUT CURRENT: (mA)	1250	1350	1450
OUTPUT VOLTAGE: (Vrms)	---	1350	---
OUTPUT CURRENT 3 X (mA)	5.5	6.5	7.5
OUTPUT FREQUENCY: (kHz)	40	45	50
OPERATING TEMP: (CELSIUS)	0	25	60

NO.	PIN NUMBER	MATING WIRE HARNESS
CN1	1 INPUT VOLTAGE (+V)	BXC-12379/ICON
	2 N/C	
	3 INPUT VOLTAGE (GND)	
CN2	1 OUTPUT HV LAMP 1	BXC-12379/OCON-01
	2 N/C	
	3 OUTPUT HV LAMP 2	
	4 N/C	
	5 OUTPUT HV LAMP 3	
CN3	1 COMMON GROUND,	BXC-12379/OCON-02
	2 LAMPS 1, 2, & 3	
	3	

NOTES:

- 1) CN1 & CN3 CONNECTOR: B5B-XH-A (JST)
- 2) CN2 CONNECTOR: B5B-XH-A (JST)
- 3) WATTAGE: 12.0 TYP./20.0 MAX.
- 4) MAXIMUM INPUT VOLTAGE: 15.0

<p>METRIC</p> <p>THIRD ANGLE PROJECTION</p>	<p>DIMENSIONS ARE IN MILLIMETERS</p> <p>TOLERANCE UNLESS OTHERWISE SPECIFIED</p> <p>1 PL +/- 1.0</p> <p>2 PL +/- 0.5</p> <p>ANGLE +/- 0</p>		<p>JKL COMPONENTS CORPORATION</p> <p>TITLE: INVERTER (12 VOLT 3 OUTPUT)</p>	
	<p>DRAWN BY: L. WENGSTROM</p> <p>APP'D BY: J.K.</p> <p>DATE: 3/10/05</p>	<p>SIZE: A</p> <p>FCGM NO.: 55335</p>	<p>DATE: 3/10/05</p> <p>DRAWING NO.: BXA-12379</p>	<p>SCALE: NONE</p> <p>RELEASED DATE: 3/10/05</p>

- CAD DRAWING -
MANUAL REVISIONS NOT PERMITTED