

# DC-AC INVERTER UNIT

## CXA-L0712-VJL(5W SINGLE OUTPUT WITH DIMMING FUNCTION)

### DESCRIPTION :

This low profile DC to AC Inverter is developed for single lamp, low power LCD back-light. Application includes industrial PC and LCD monitor.

Applicable LCD; 5 to 15 inches single lamp type

- Lamp Voltage 600Vrms
- Lamp Current 7mArms
- Lamp Start Up Voltage 1600Vrms (Vin : 12V)

### FEATURES :

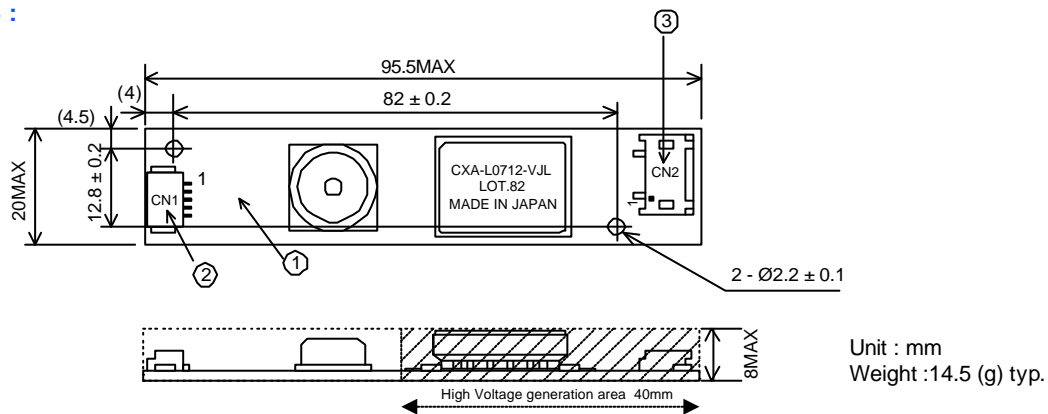
- Current feedback circuit
- High efficiency
- Low noise with voltage resonant circuit
- Regulated output current



### TEMPERATURE & HUMIDITY :

- Operating Temperature Range 0 °C ~ +60 °C
- Storage Temperature Range -30 °C ~ +85 °C
- Humidity 95 %RH max

### DIMENSIONS :



Note : Please use minimum of 2mm clearance (all directions) between inverter high voltage area (as marked above) and any conductors.

No.	Part Description	Qty.	Note	
1	PWB	1	UL94V-0	t=1.0mm
2	Connector CN1	1	53261-0590	(Molex)
3	Connector CN2	1	SM02(8.0)B-BHS-1	(JST)

CN1 : 53261-0590 (Molex)

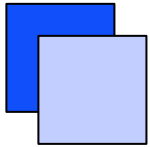
Pin	Symbol	Note
CN1-1	Vin	9.6 ~ 15V
CN1-2	GND	0 V
CN1-3	Vrmt	0V ~ 0.4 V : OFF 2.5V ~ 15V : ON
CN1-4	Vbr	0 ~ 2V
CN1-5	N.C.	For an internal circuit use. Don't connect.

CN2 : SM02(8.0)B-BHS-1 (JST)

Pin	Symbol	Note
CN2-1	Vhigh	600Vrms (6mArms)
CN2-2	N.C.	-
CN2-3	Vlow	(0.6V)

General Information Tel : +81-3-5201-7206 (Japan)  
Tel : +1-847-390-4439 (USA)  
Tel : +44-118-921-6206 (EU)

All specification are subject to change without notice.

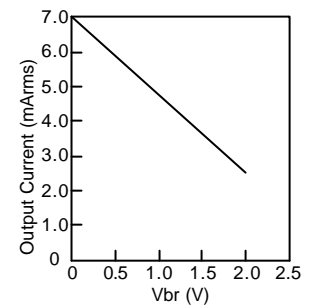


# DC-AC INVERTER UNIT

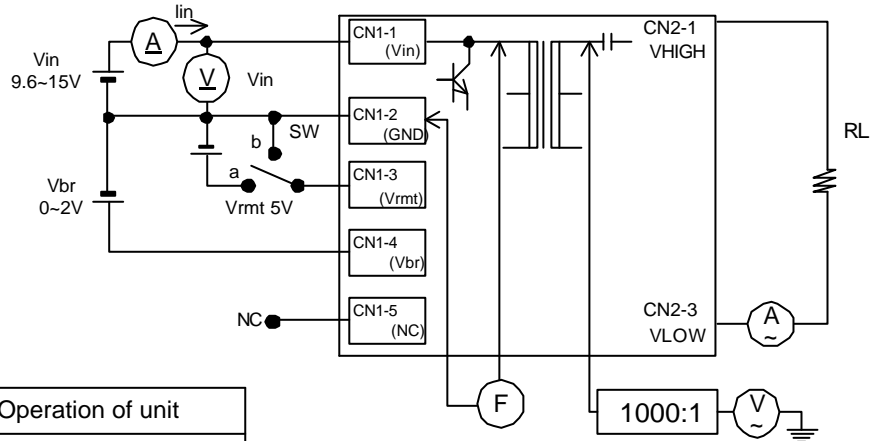
## CXA-L0712-VJL(5W SINGLE OUTPUT WITH DIMMING FUNCTION)

### ELECTRICAL CHARACTERISTICS :

Parameters	Symbol	Conditions					Specifications			Unit	Note
		Vin (V)	Vrmt(V)	Vbr (V)	Ta (°C)	RL (kΩ)	min.	typ.	max.		
Output Current	Iout	9.6 ~ 15	5	0	0 ~ +60	100 ± 2	6.5	7.0	7.5	mArms	Max Brightness.
		12	5	2	0 ~ +60	200 ± 2	2.0	2.5	3.0	mArms	Min Brightness.
Input Current	Iin	12	5	0	0 ~ +60	100 ± 2	-	0.52	0.6	Adc	
Frequency	FL	12	5	0	0 ~ +60	100 ± 2	50	55	60	kHz	
Open Voltage	Vopen	9.6	5	0	0 ~ +60	∞	1500	1600	-	Vrms	



### TEST CIRCUIT :



SW	Operation of unit
a	Operation
b	Non operation