

45 SERIES

NEC

NEL-D32-45 (standard)
 NEL-D32-45(1) (without cover)
 D32-45 TRANS (transformer)

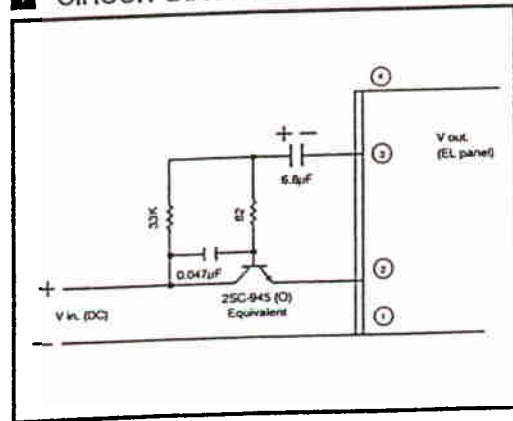
MAXIMUM RATING

Input voltage	6VDC
Load (lamp surface area)	22 cm ²
Storage temperature	-20~70°C
Operating ambient temperature	-10~55°C

ACCEPTABLE OPERATING RANGE

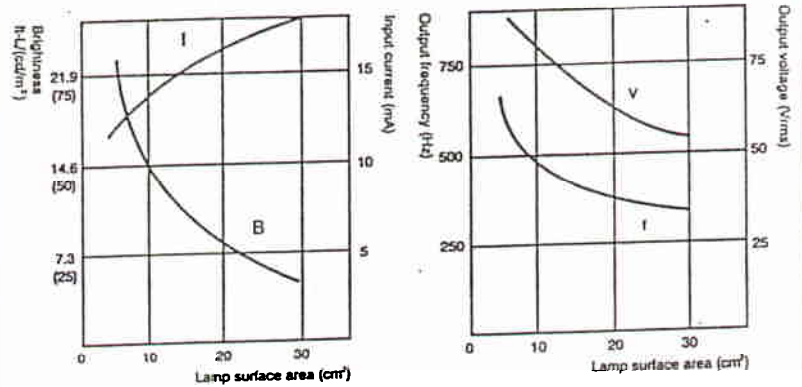
Input voltage	3~5.5V DC
Load (lamp surface area)	10~19cm ²

CIRCUIT DIAGRAM



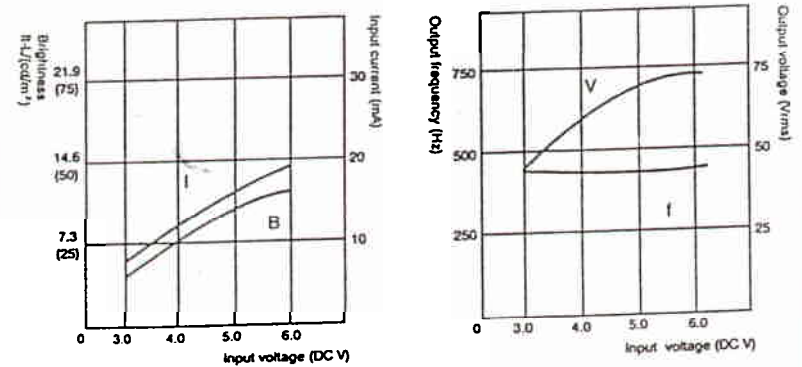
LOAD CHARACTERISTICS

(V_{in}=5VDC)

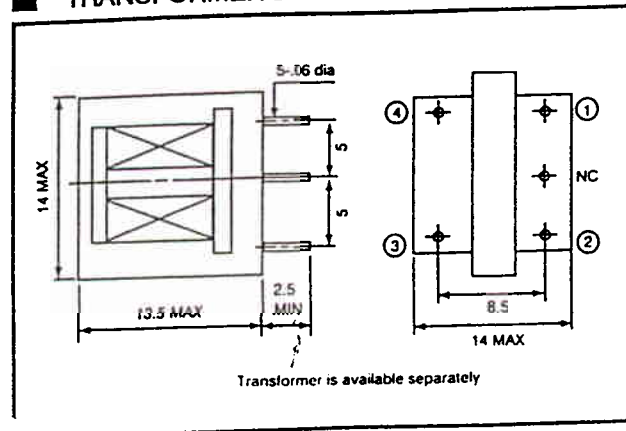


INPUT VOLTAGE CHARACTERISTICS

(At 13cm²)



TRANSFORMER DIMENSIONS



INVERTER DIMENSIONS

