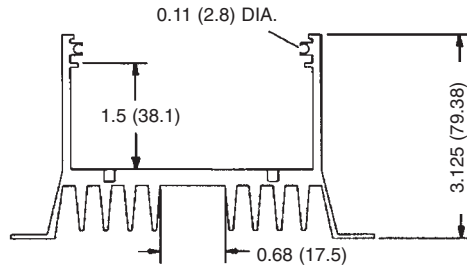
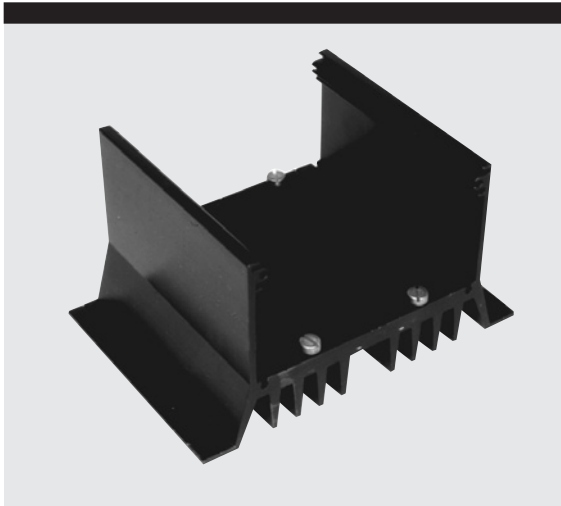


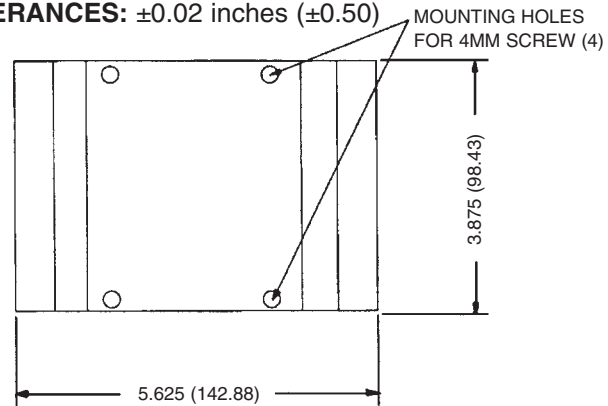
SOLID STATE RELAY ACCESSORIES

HS1 HEATSINK



DIMENSIONS: inches (mm)

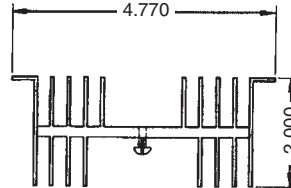
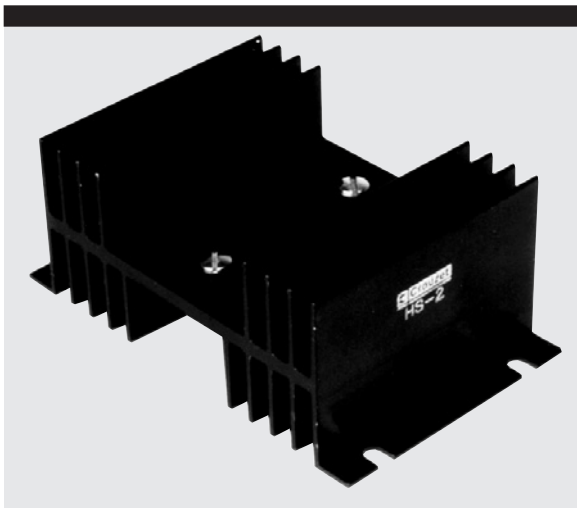
TOLERANCES: ±0.02 inches (±0.50)



ORDERING INFORMATION:

Model #	Description
HS1	Heatsink 1.5°C/W (For GA0 & GA3 Series SSR's)

HS2 HEATSINK

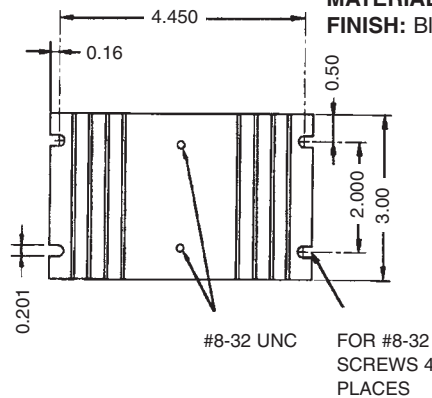


DIMENSIONS: inches

TOLERANCES: ±0.02 inches

MATERIAL: AISI 6063-T5 Aluminum

FINISH: Black Anodized



ORDERING INFORMATION:

Model #	Description
HS2	Heatsink 2.0°C/W (For Single Phase SSR's)

Products and specifications subject to change without notice.

Consult factory for application assistance.