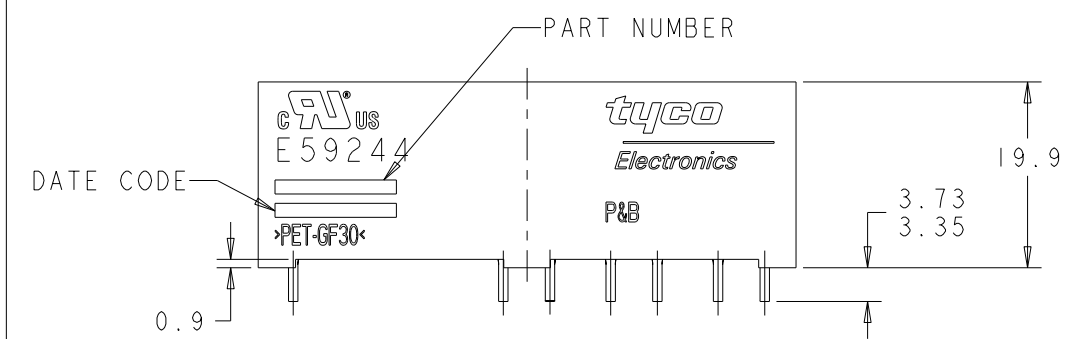
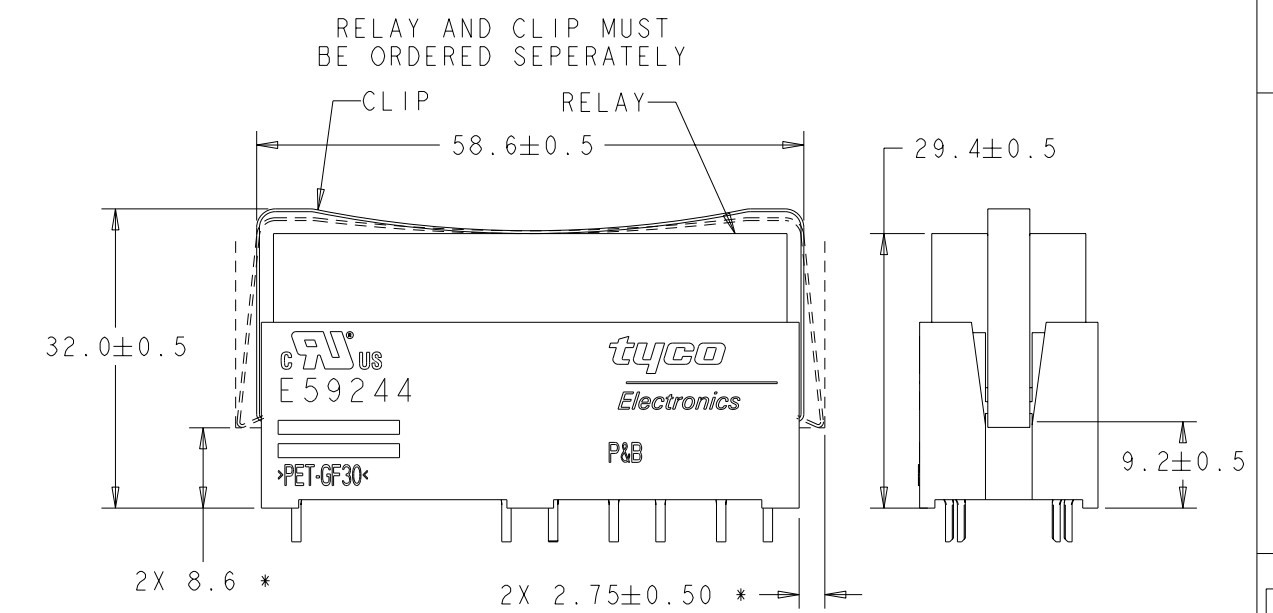
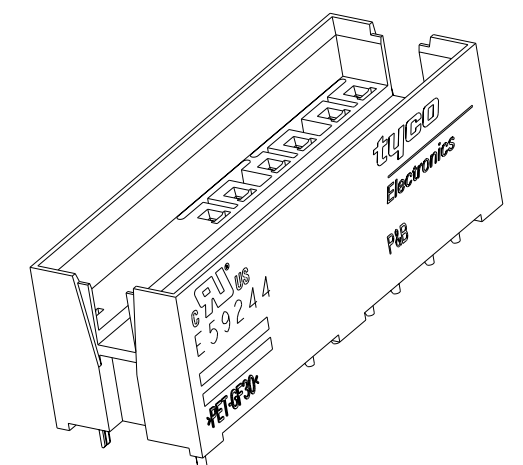
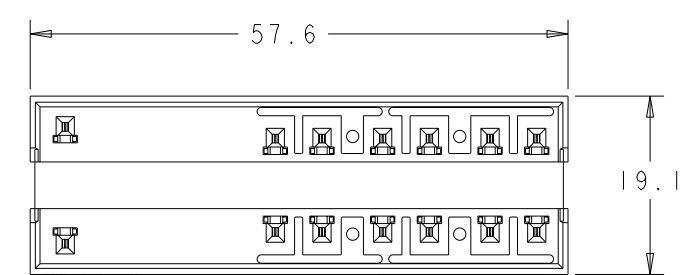
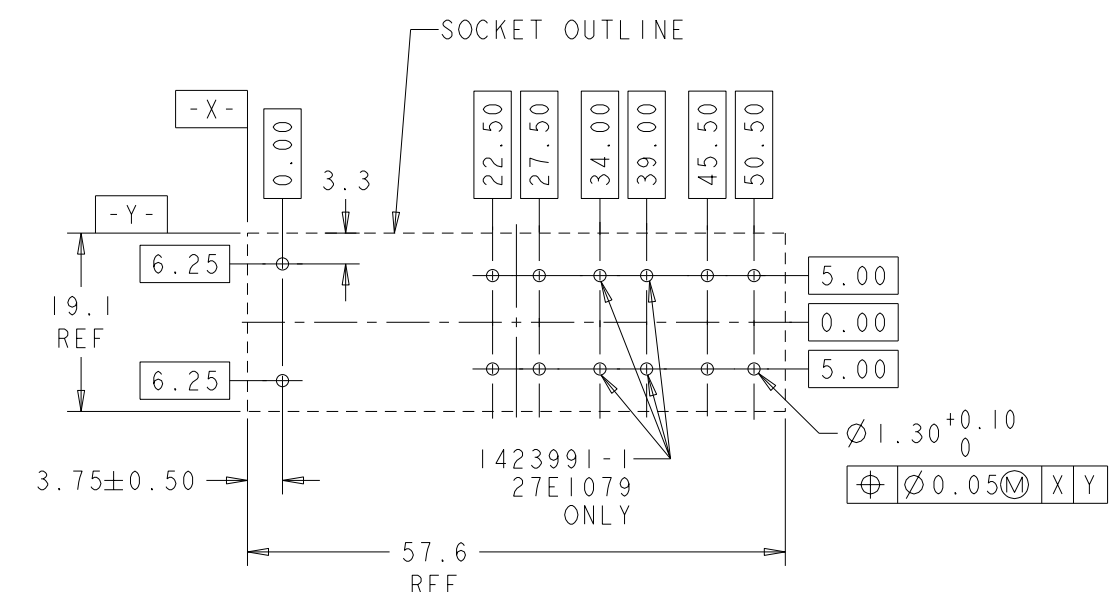


THIS DRAWING IS UNPUBLISHED. RELEASED FOR PUBLICATION 20
 © COPYRIGHT 20 BY TYCO ELECTRONICS CORPORATION. ALL RIGHTS RESERVED.

LOC		DIST		REVISIONS				
P	LTR	DESCRIPTION	DATE	DWN	APVD			
0		RELEASED PER GPR04-062	23JUL2004	TCS	HL			
A		ECR-05-000005	5JAN2005	TCS	HL			
-		-	-	-	-			
-		-	-	-	-			



CLIP CLEARANCE INFORMATION ONLY
 * = CLEARANCE NEEDED TO INSTALL/REMOVE CLIP



- NOTES:
 1. MATERIAL: CONTACTS - COPPER ALLOY
 HOUSING - FR-PET,
 30% GLASS,
 COLOR - BLACK
 2. PLATING: CONTACTS - HALT-TIN DIPPED

27E1080	1423991-2	10
27E1079	1423991-1	14
P&B PART NO.	TYCO PART NO	NUMBER OF POSITIONS

THIS DRAWING IS A CONTROLLED DOCUMENT FOR TYCO ELECTRONICS CORPORATION. IT IS SUBJECT TO CHANGE AND THE CONTROLLING ENGINEERING ORGANIZATION SHOULD BE CONTACTED FOR THE LATEST REVISION.		DWN J.C. YOSLER 26 JAN2004	Potter & Brumfield Tyco Electronics Harrisburg, PA 17105-3608	
DIMENSIONS: mm		CHK W.J. RUDY 28 JAN2004	NAME SOCKET ASSEMBLY, SRG, SYMMETRICAL PATTERN	
TOLERANCES UNLESS OTHERWISE SPECIFIED:		APVD -	SIZE CAGE CODE DRAWING NO RESTRICTED TO	
0 PLC ±-		PRODUCT SPEC -	A2 00779 C=1423991	
1 PLC ±0.5		APPLICATION SPEC -	SCALE 2:1 SHEET 1 OF 1 REV A	
2 PLC ±0.13		WEIGHT -		
3 PLC ±0.013		CUSTOMER DRAWING		
4 PLC ±0.0001				
ANGLES ±				
FINISH				

SUGGESTED PCB LAYOUT (BOTTOM VIEW)