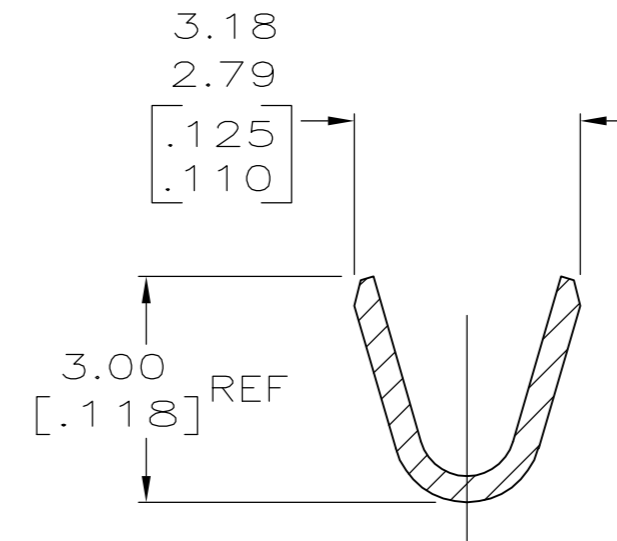
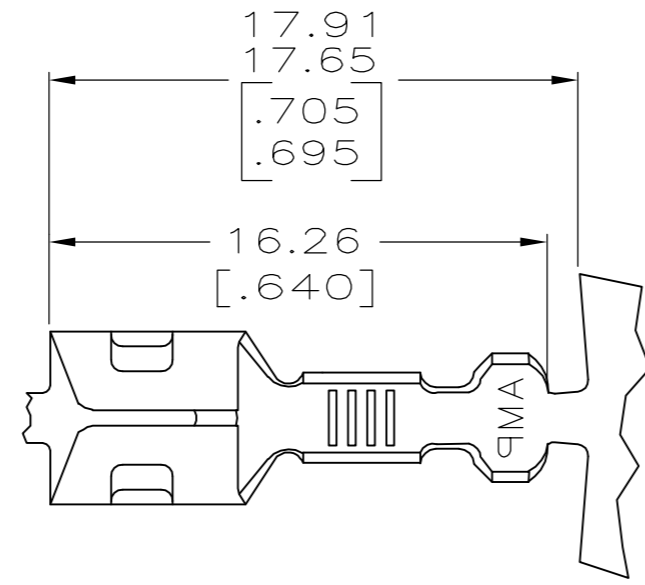


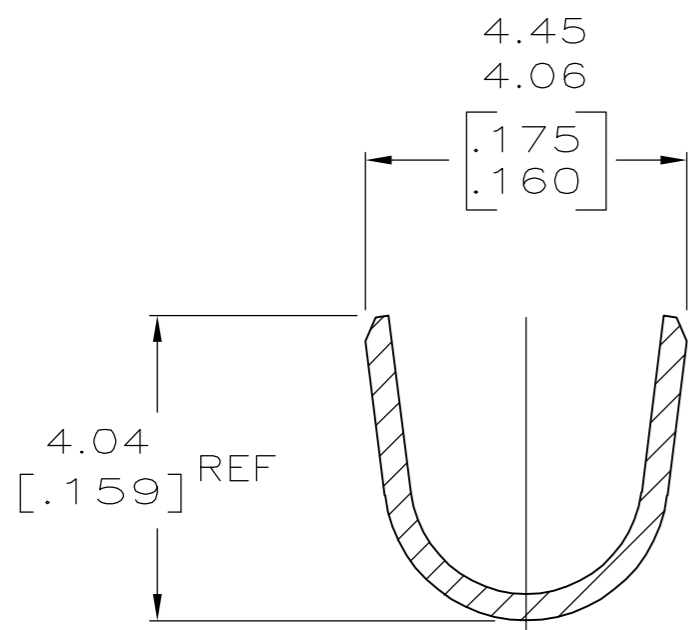
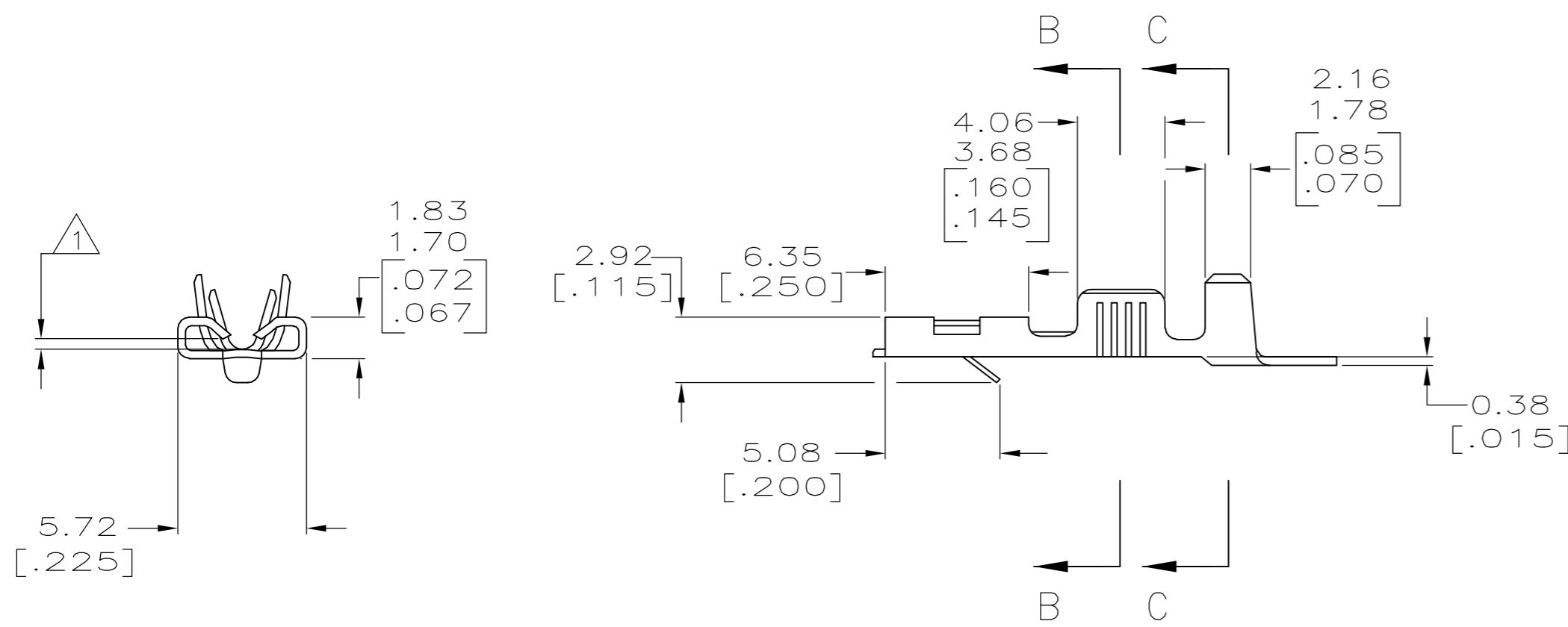
THIS DRAWING IS UNPUBLISHED. RELEASED FOR PUBLICATION  
 © COPYRIGHT BY TYCO ELECTRONICS CORPORATION. ALL RIGHTS RESERVED.

LOC		DIST		REVISIONS			
P	LTR	DATE	JE	DWN	APVD		
CM	00						
	K	REVISED PER ECO-05-009006			05OCT05	KW	DB

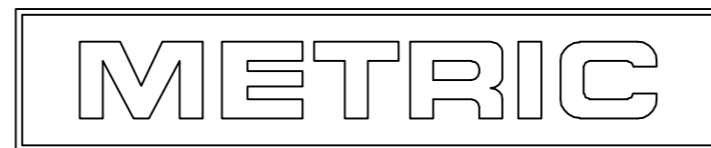
- 1. FITS 4.75 X 0.46 [.187 X .018] THICK TABS.
- 2. INSULATION RANGE: 2.67-3.30 [.105-.130] DIA.
- 3. WIRE RANGE: 0.5-1.4 mm<sup>2</sup> (20-16 AWG).
- 4. DIMENSIONS IN BRACKETS ARE IN INCHES.



SECTION B-B  
SCALE 10:1



SECTION C-C  
SCALE 10:1



350940-1  
PART NUMBER

THIS DRAWING IS A CONTROLLED DOCUMENT.		DWN K. WHITAKER	05OCT2005	Tyco Electronics Corporation Harrisburg, PA 17105-3608			
DIMENSIONS: mm [INCHES]		CHK D. BOSSI	05OCT2005	NAME RECEPTACLE, RELAY, 187 SERIES			
TOLERANCES UNLESS OTHERWISE SPECIFIED:		APVD D. BOSSI	05OCT2005	PRODUCT SPEC APPLICATION SPEC			
0 PLC ± -		WEIGHT		SIZE A2	CAGE CODE 00779	DRAWING NO C=350490	RESTRICTED TO
1 PLC ± -		FINISH PRE-TIN PLATED		SCALE 4:1		SHEET 1 of 1	REV K
2 PLC ± 0.13[.005]		CUSTOMER DRAWING					
3 PLC ± -							
4 PLC ± -							
ANGLES ± -							
MATERIAL 0.36 [.014] BRASS							